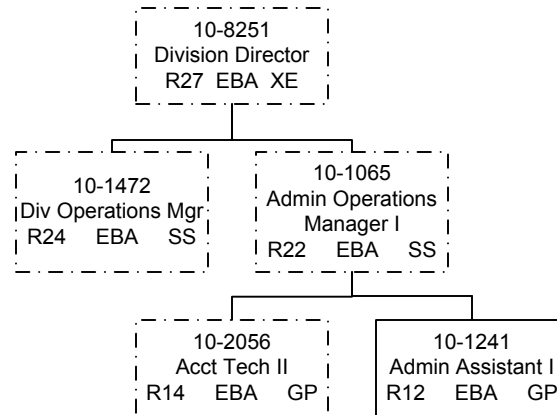


Mining, Land and Water Director's Office FY12



Legend

