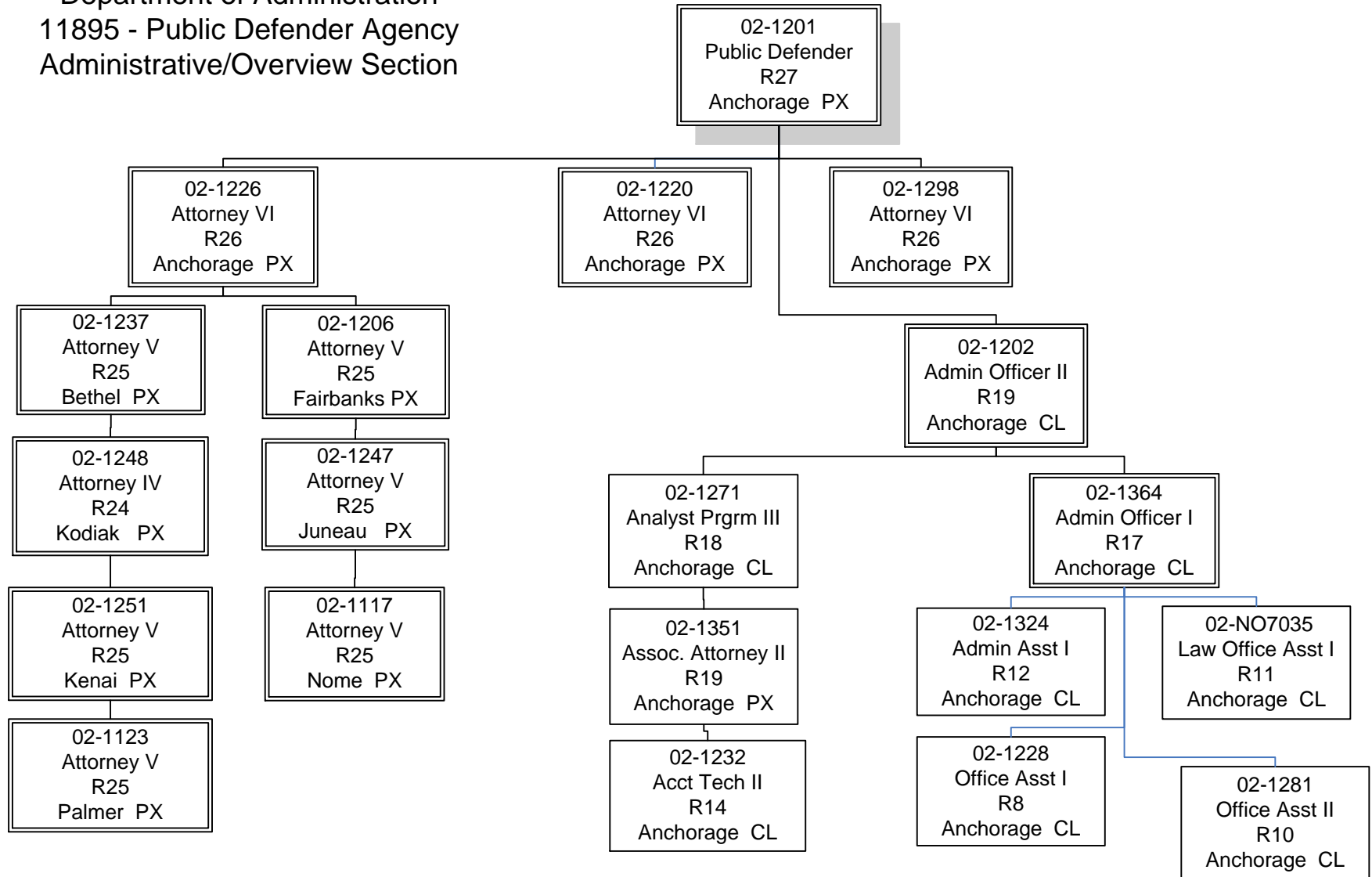
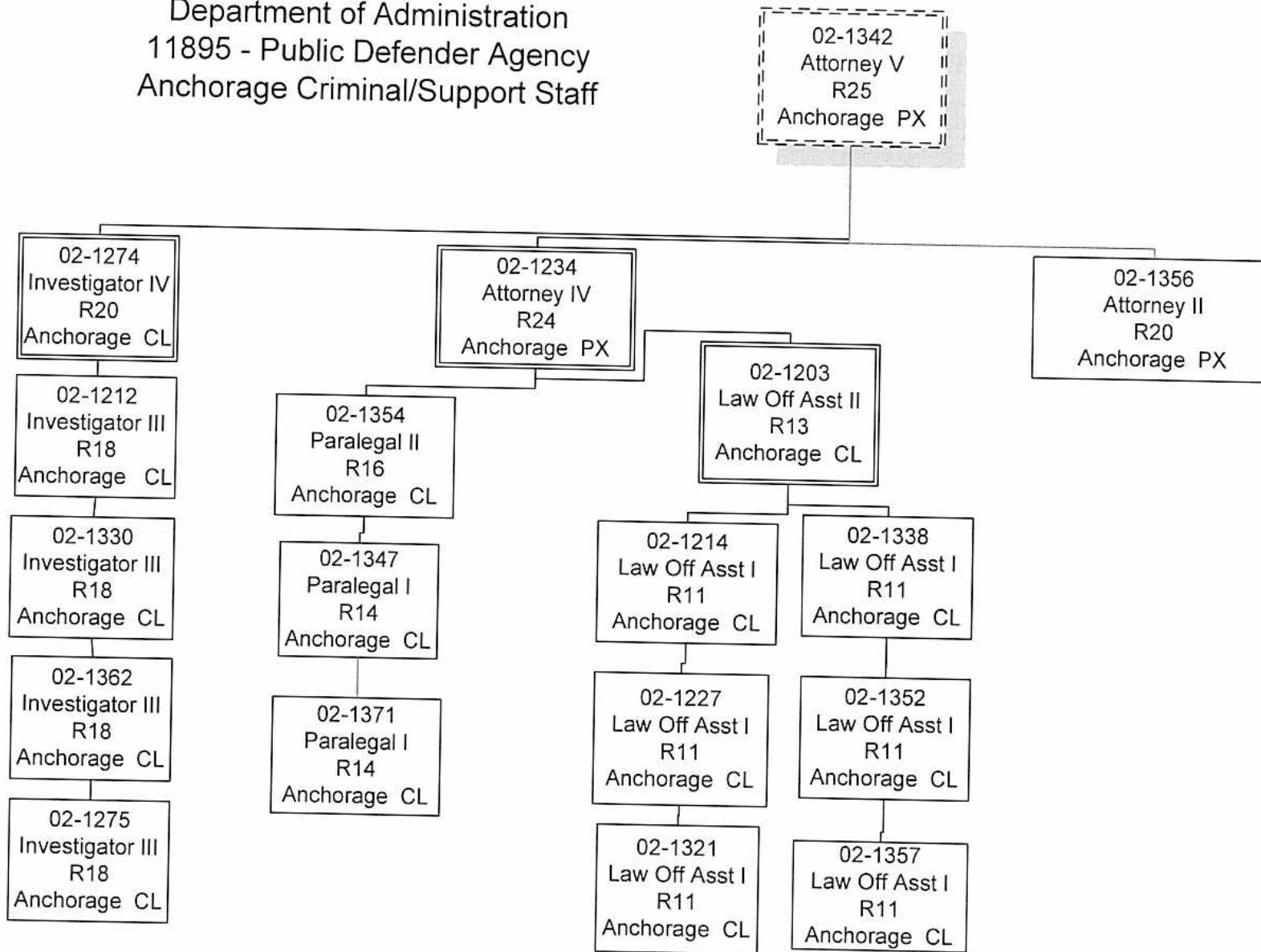


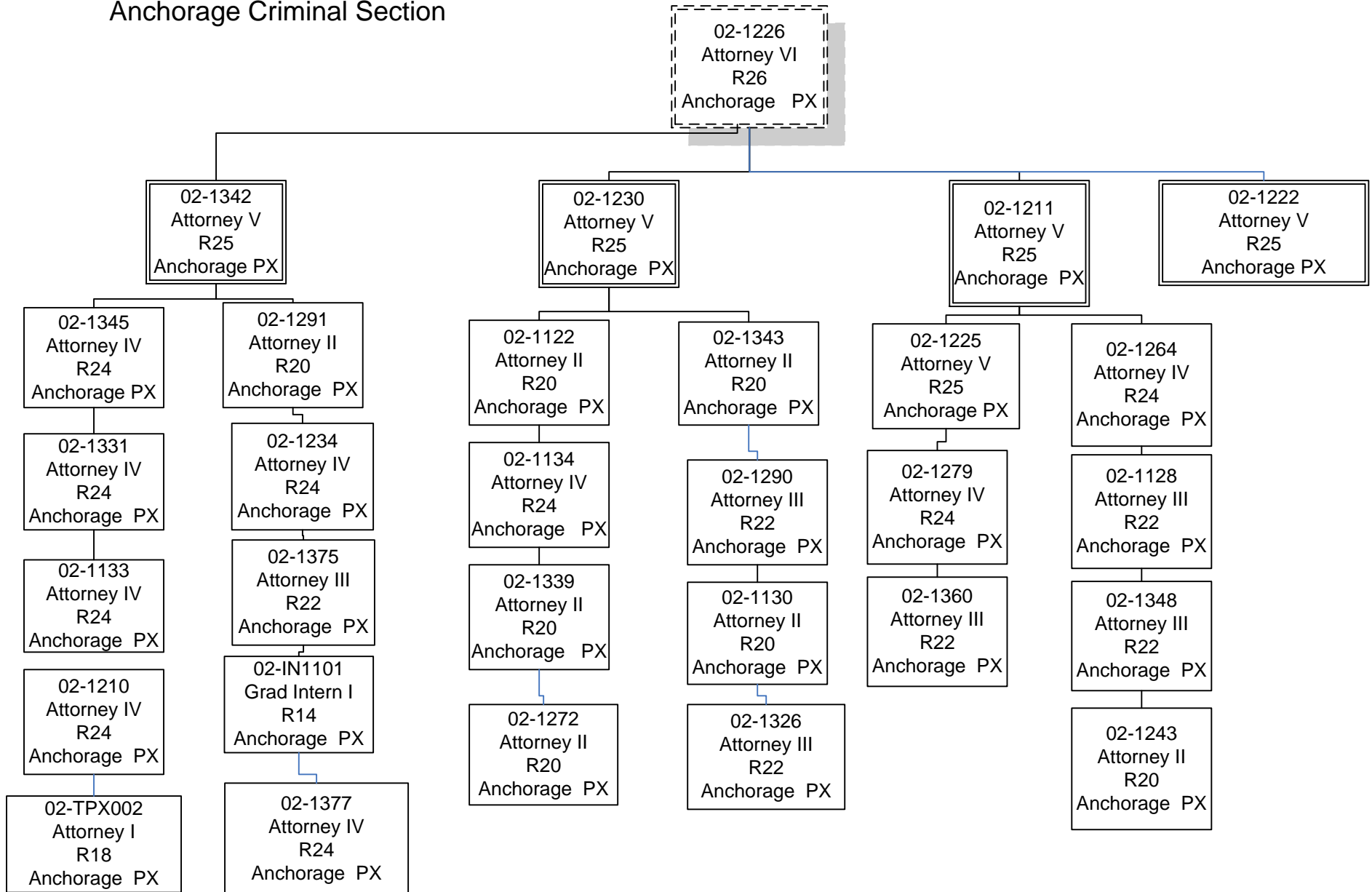
Department of Administration
 11895 - Public Defender Agency
 Administrative/Overview Section



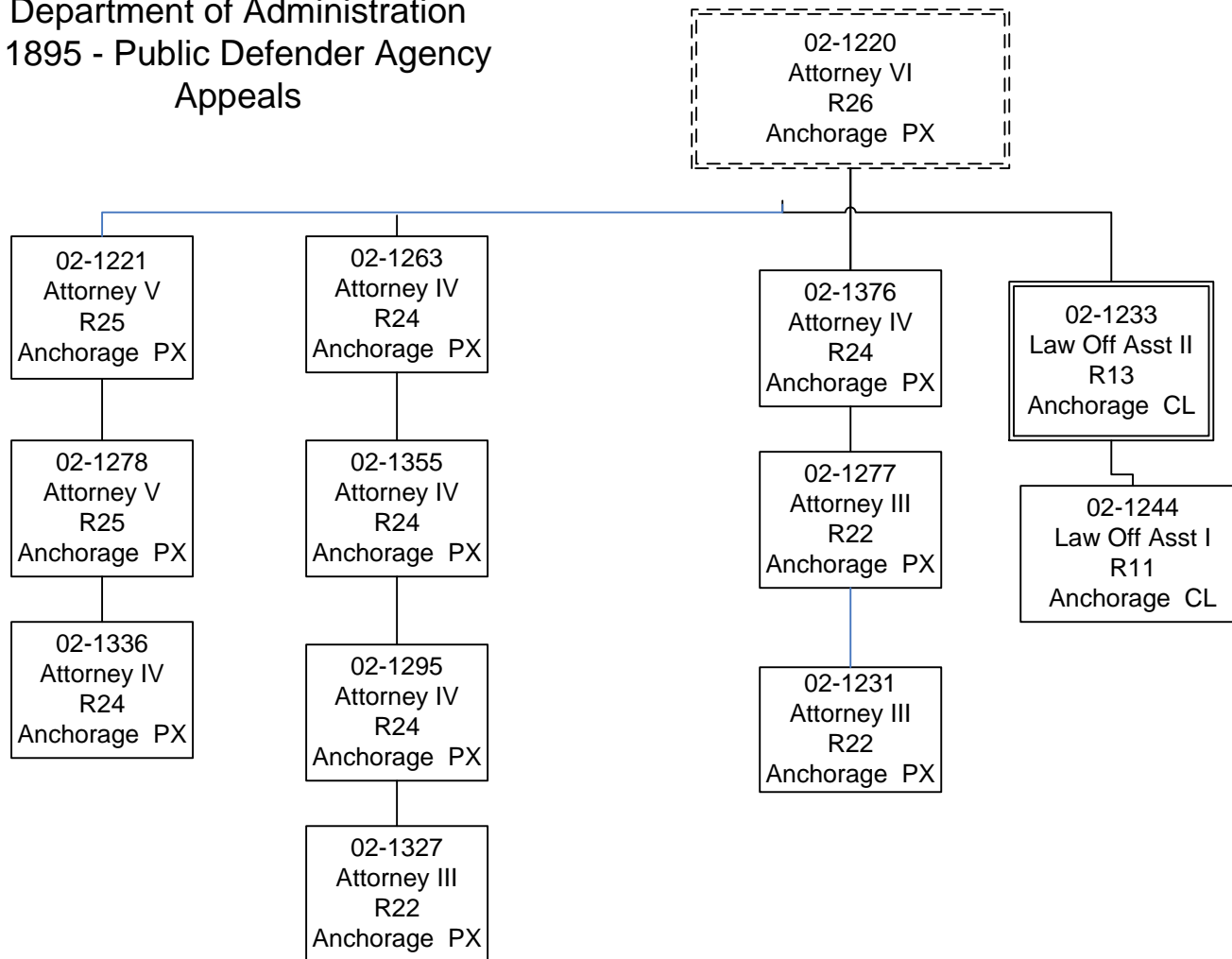
Department of Administration
11895 - Public Defender Agency
Anchorage Criminal/Support Staff



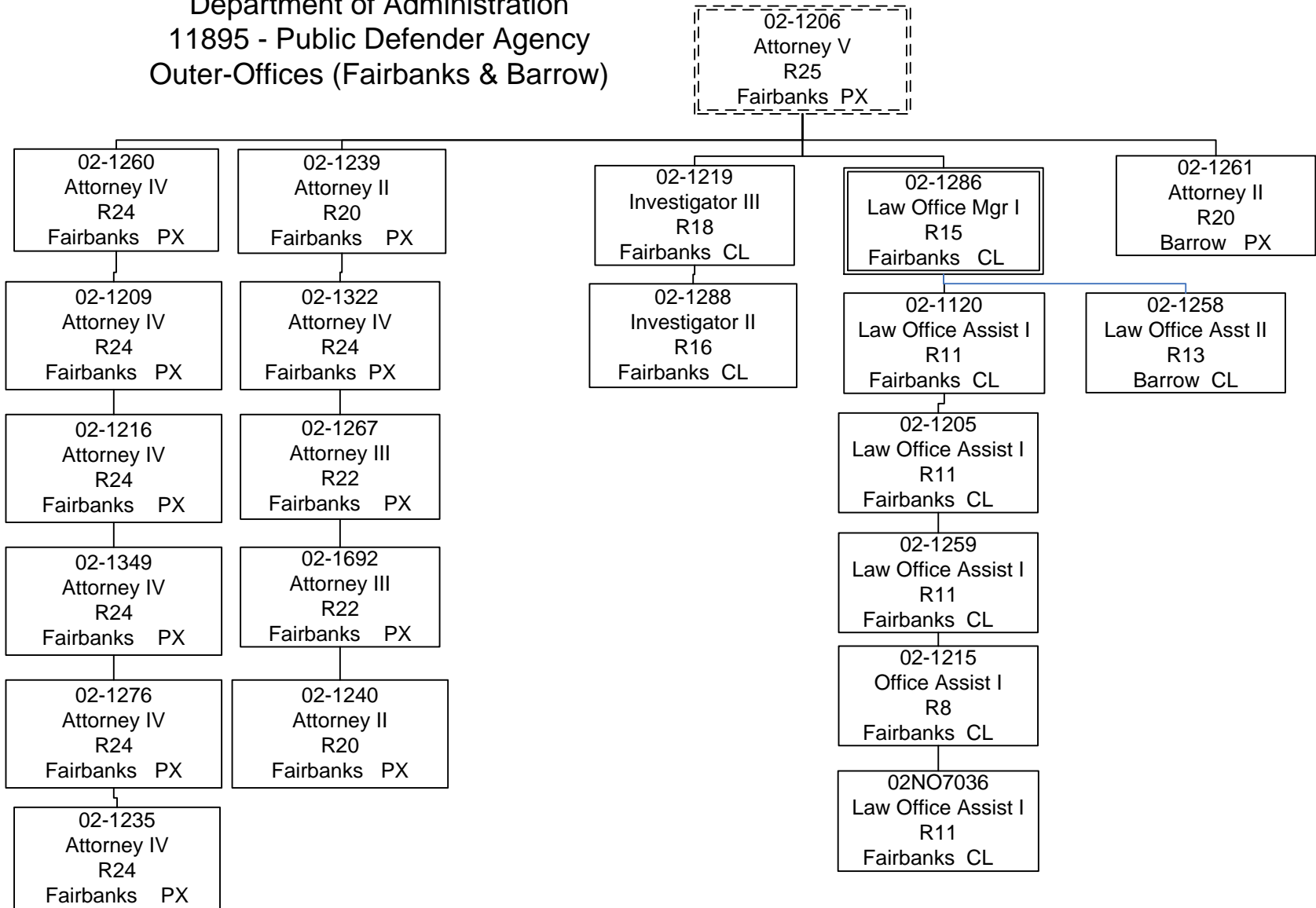
Department of Administration
 11895 - Public Defender Agency
 Anchorage Criminal Section



Department of Administration
11895 - Public Defender Agency
Appeals



Department of Administration
 11895 - Public Defender Agency
 Outer-Offices (Fairbanks & Barrow)



Department of Administration
 11895 - Public Defender Agency
 Outer-Offices (Juneau, Ketchikan & Sitka)

02-1247
 Attorney V
 R25
 Juneau PX

02-1207
 Attorney IV
 R24
 Juneau PX

02-1265
 Attorney II
 R20
 Juneau PX

02-1208
 Attorney IV
 R24
 Ketchikan PX

02-1217
 Investigator III
 R18
 Ketchikan CL

02-1282
 Attorney IV
 R24
 Sitka PX

02-1269
 Attorney III
 R22
 Juneau PX

02-1242
 Attorney III
 R22
 Juneau PX

02-1325
 Attorney IV
 R24
 Ketchikan PX

02-1204
 Law Office Asst II
 R13
 Ketchikan CL

02-1337
 Investigator III
 R18
 Sitka CL

02-1103
 Investigator III
 R18
 Juneau PX

02-1213
 Law Office Asst II
 R13
 Juneau CL

02-1238
 Attorney III
 R22
 Ketchikan PX

02N07006
 Law Office Asst II
 R13
 Ketchikan CL

02-1283
 Law Office Asst II
 R13
 Sitka CL

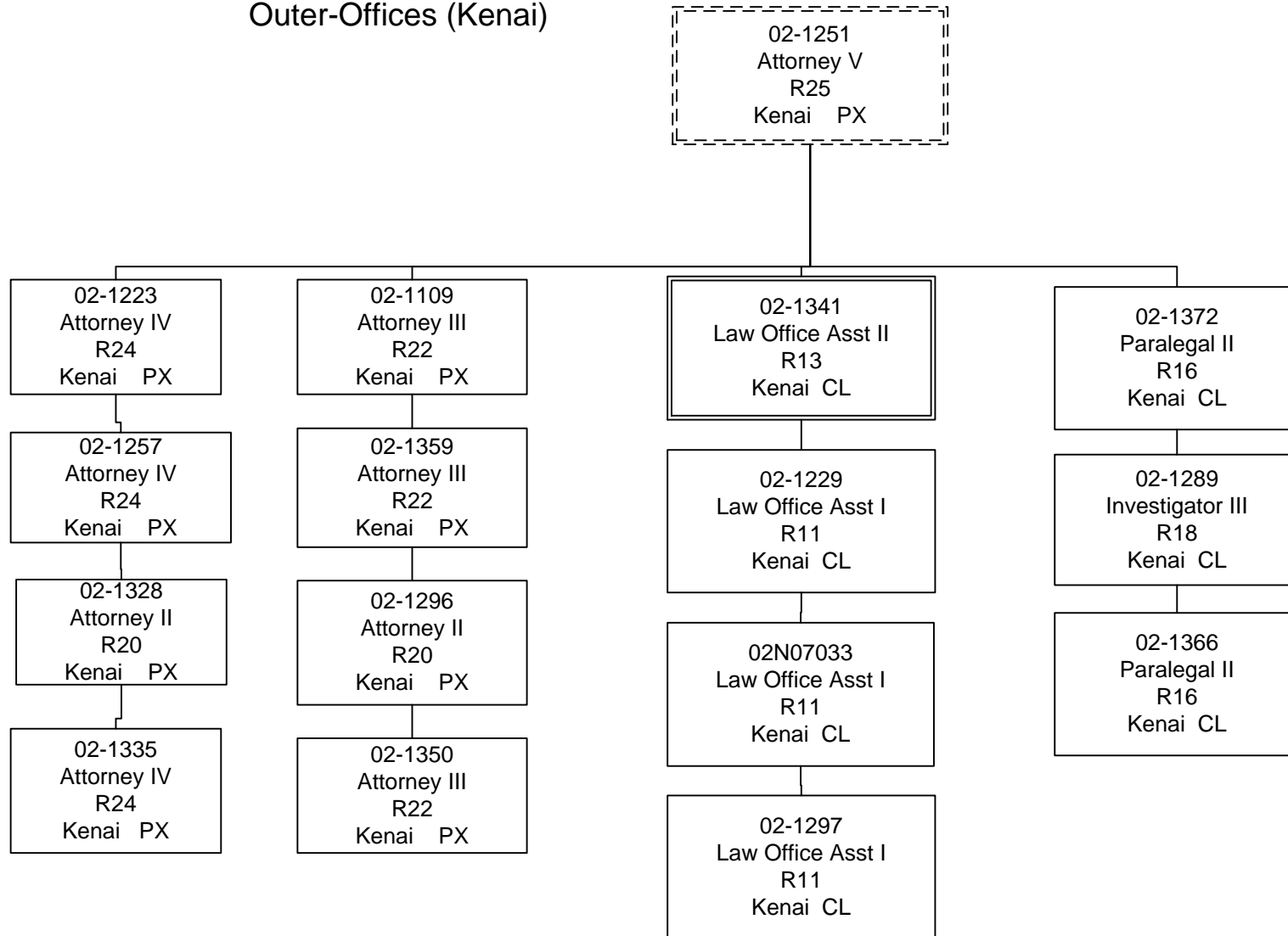
02-1135
 Paralegal II
 R16
 Juneau CL

02N07034
 Law Office Asst I
 R11
 Juneau CL

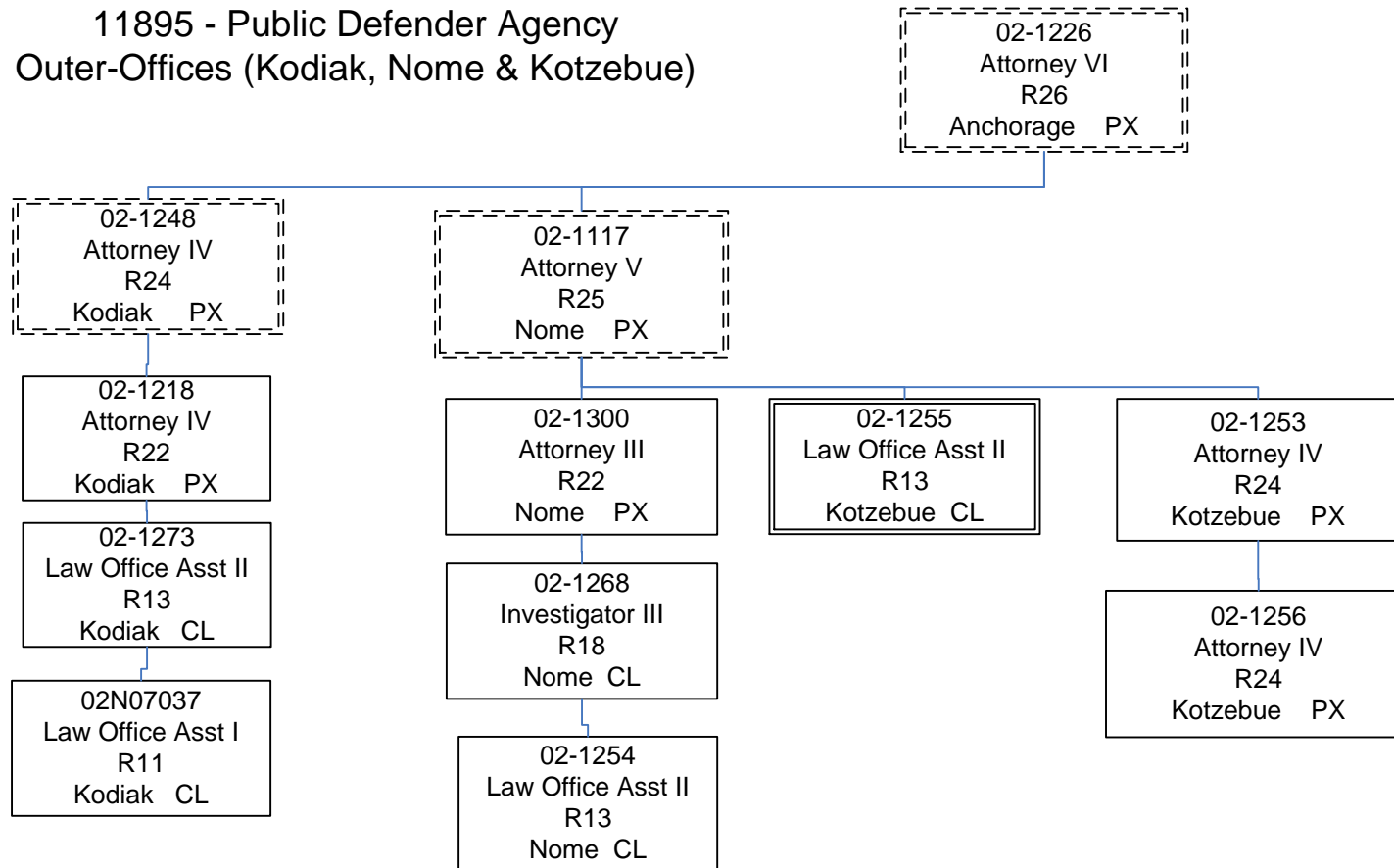
02-1293
 Attorney IV
 R24
 Ketchikan PX

02N07029
 Law Office Asst I
 R11
 Sitka CL

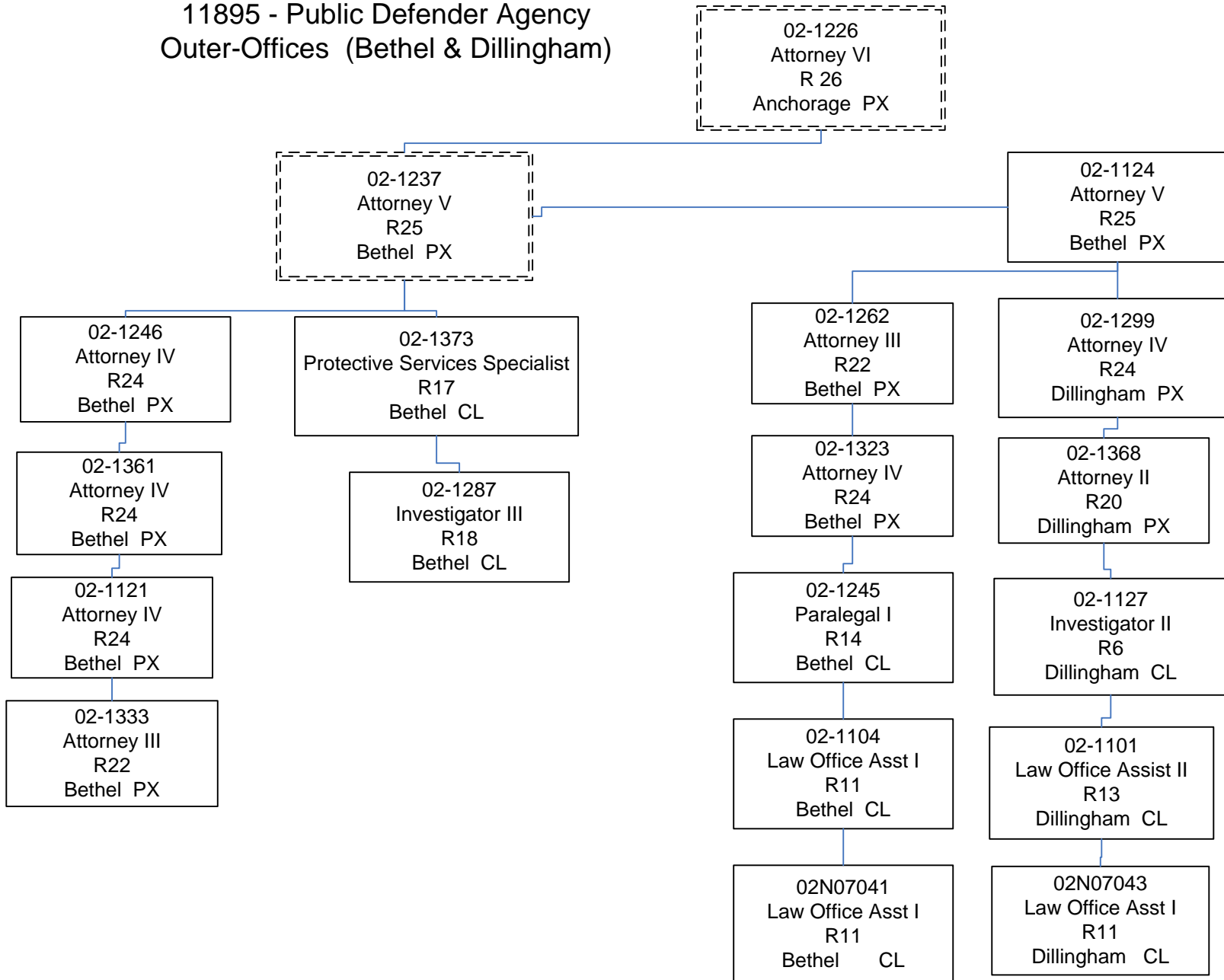
Department of Administration
11895 - Public Defender Agency
Outer-Offices (Kenai)



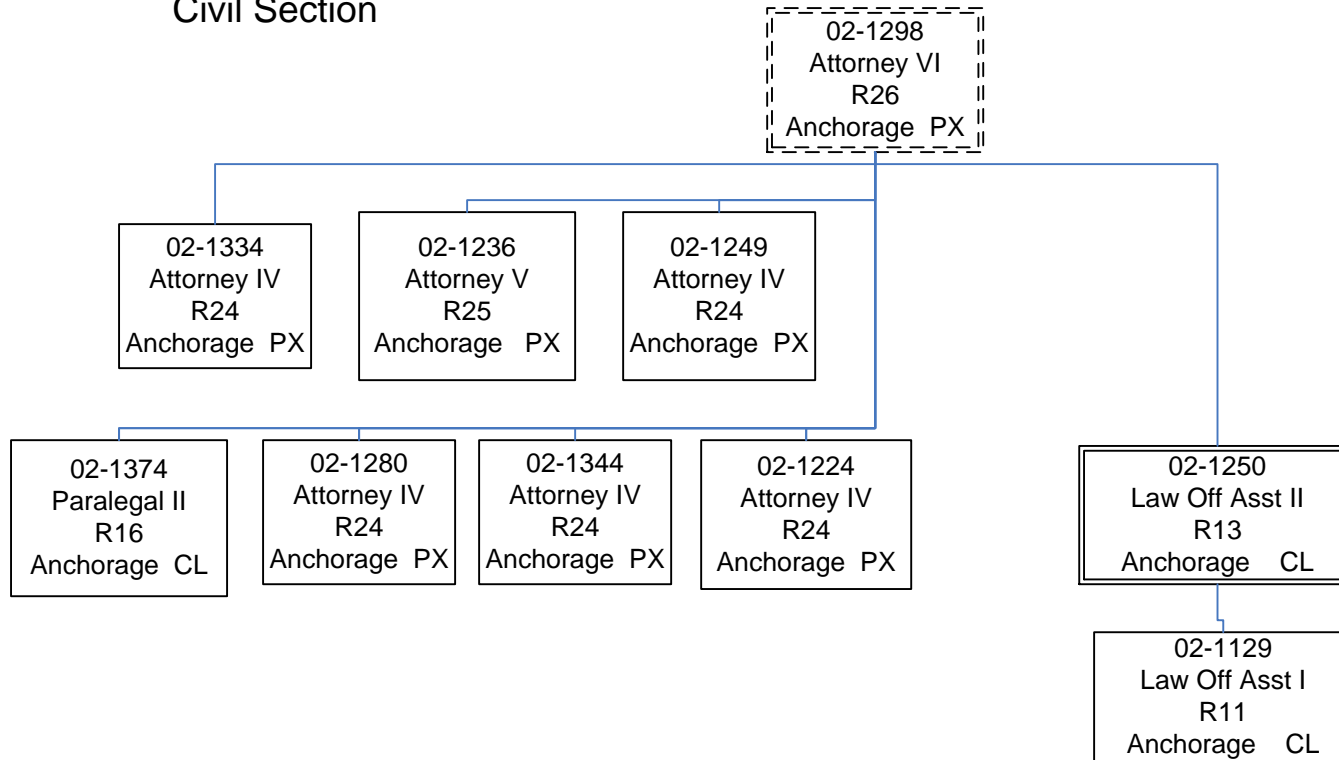
Department of Administration
11895 - Public Defender Agency
Outer-Offices (Kodiak, Nome & Kotzebue)



Department of Administration
11895 - Public Defender Agency
Outer-Offices (Bethel & Dillingham)



Department of Administration
11895 - Public Defender Agency
Civil Section



Department of Administration
 11895 - Public Defender Agency
 Outer-Offices (Palmer)

