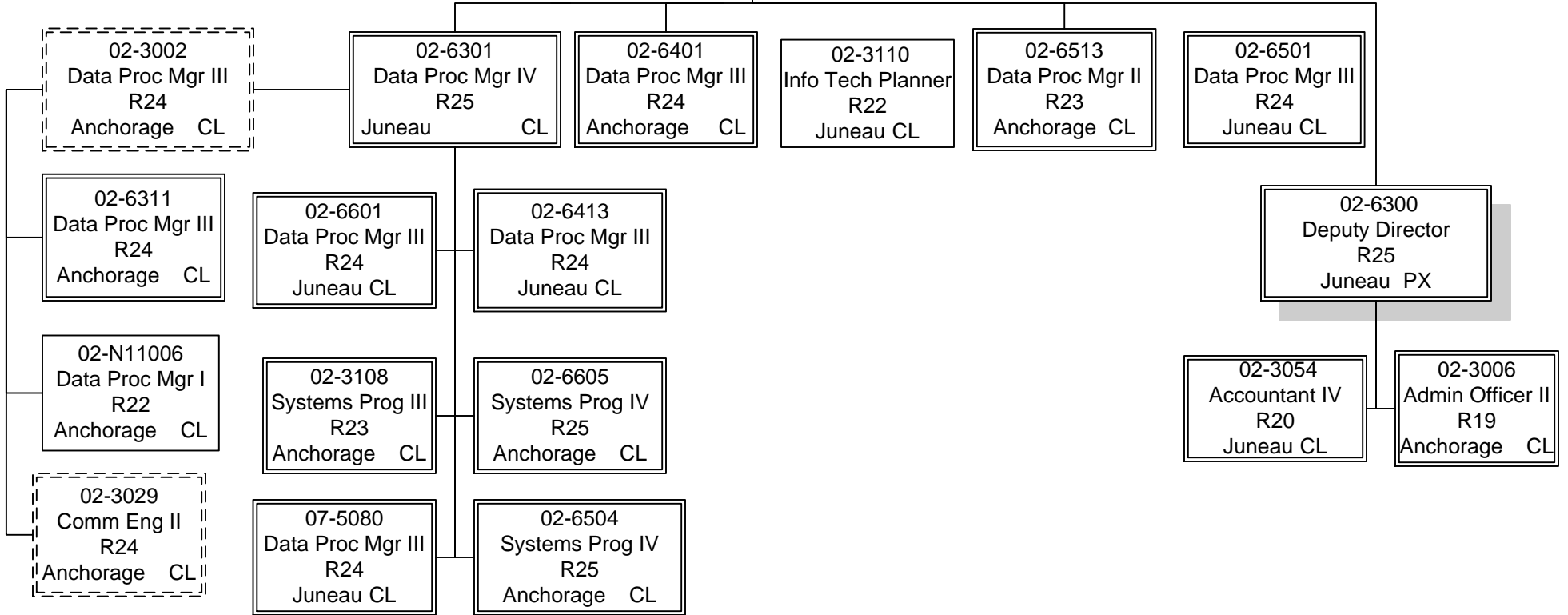
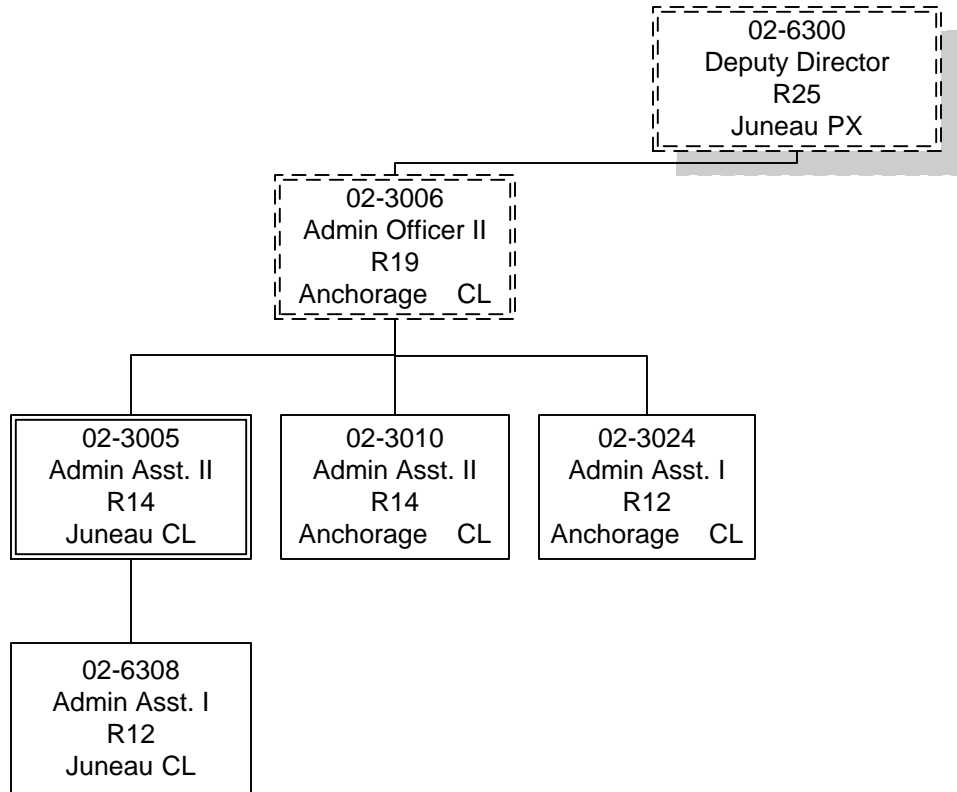


Department of Administration
 11972 - Enterprise Technology Services
 Management

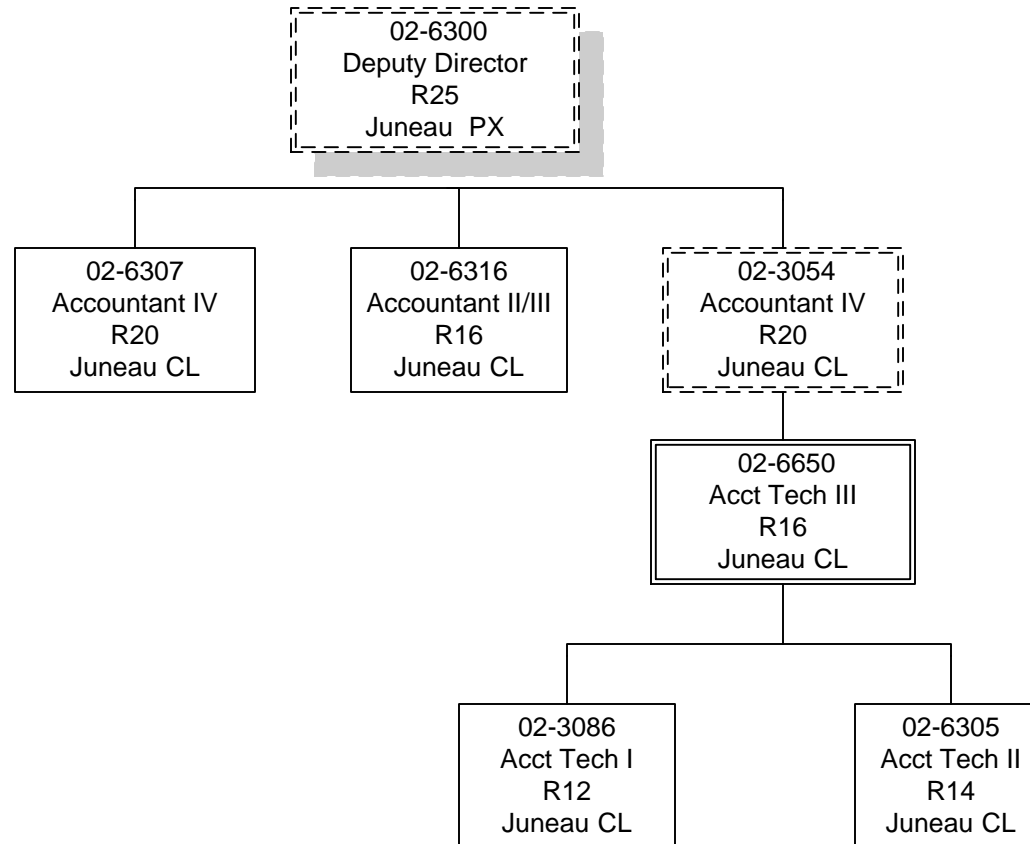
02-3001
 Division Director
 R27
 Juneau PX



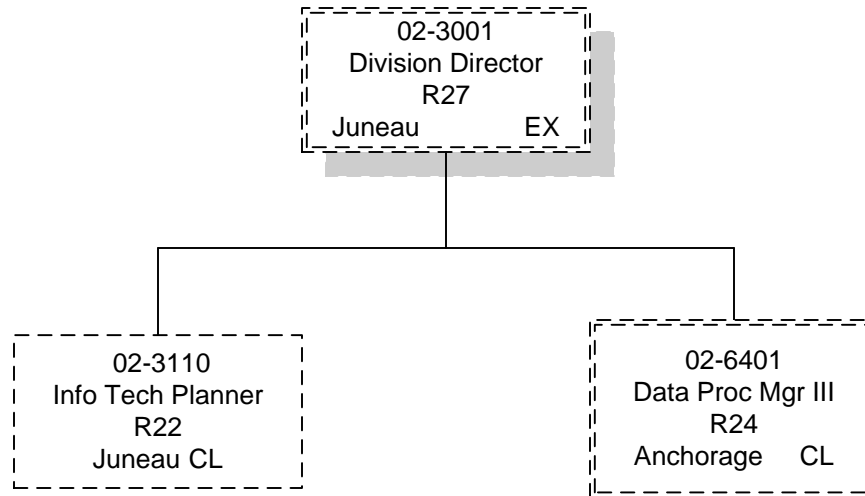
Department of Administration
11972 - Enterprise Technology Services
Administrative Services



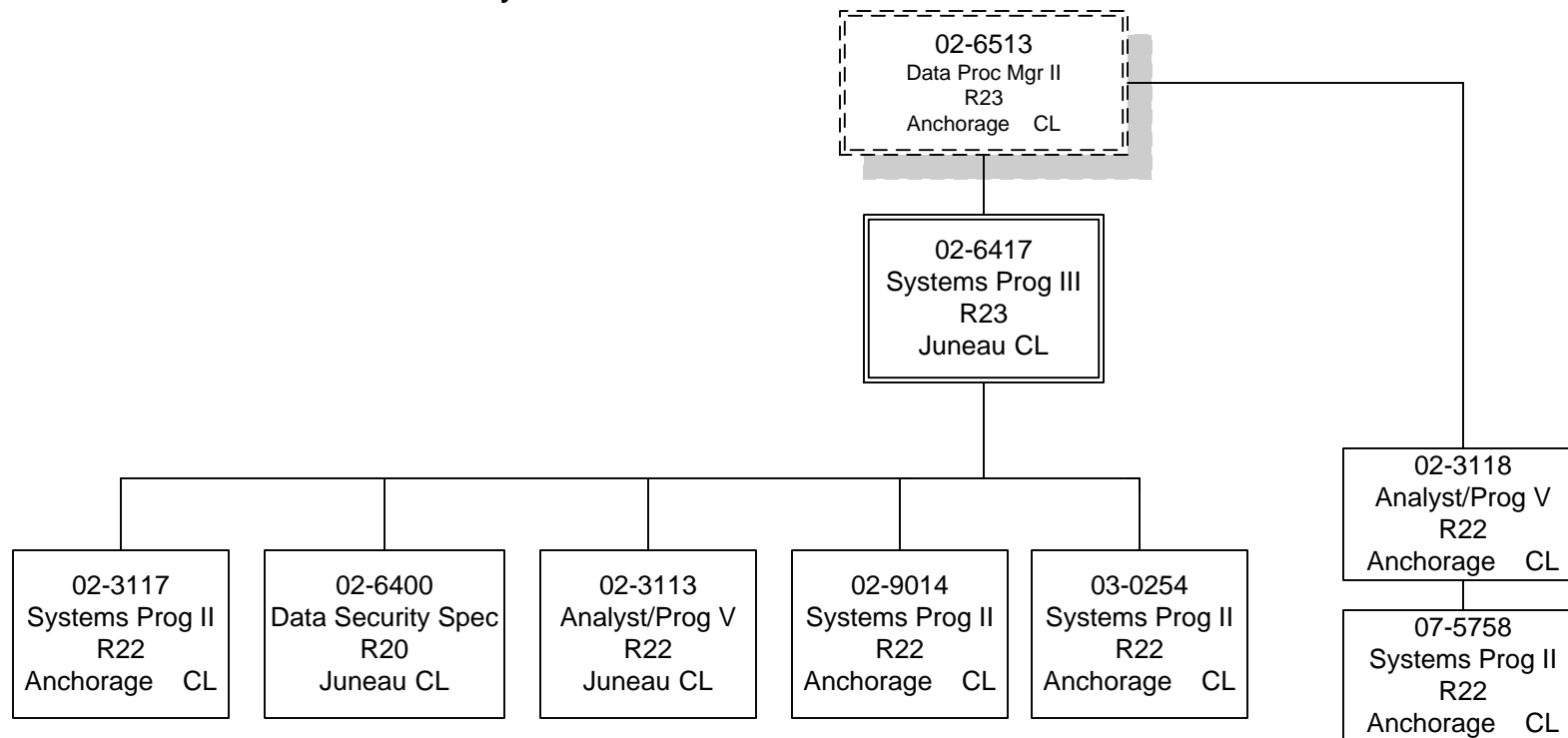
Department of Administration
11972 - Enterprise Technology Services
Fiscal



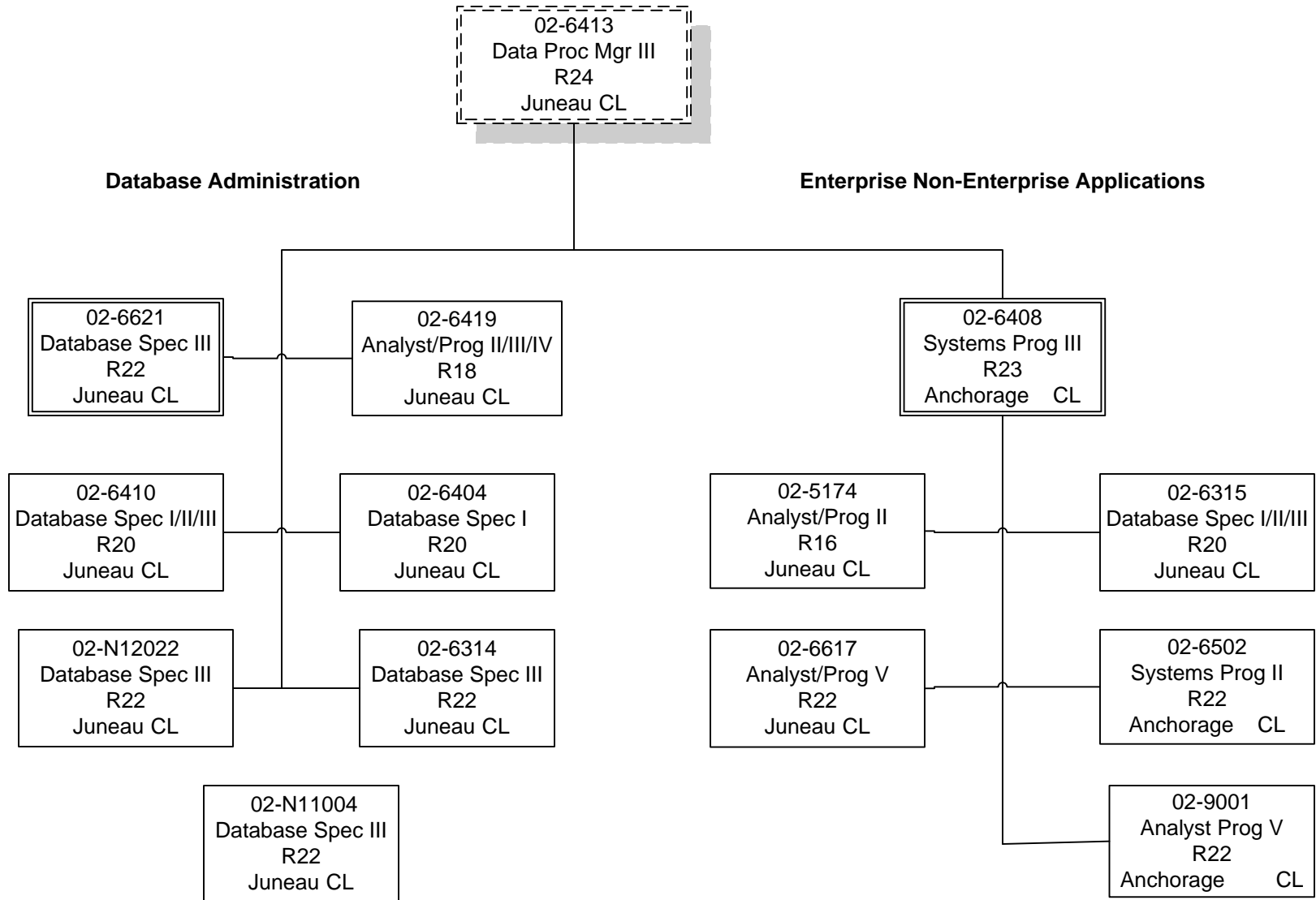
Department of Administration
11972 - Enterprise Technology Services
Strategic Planning



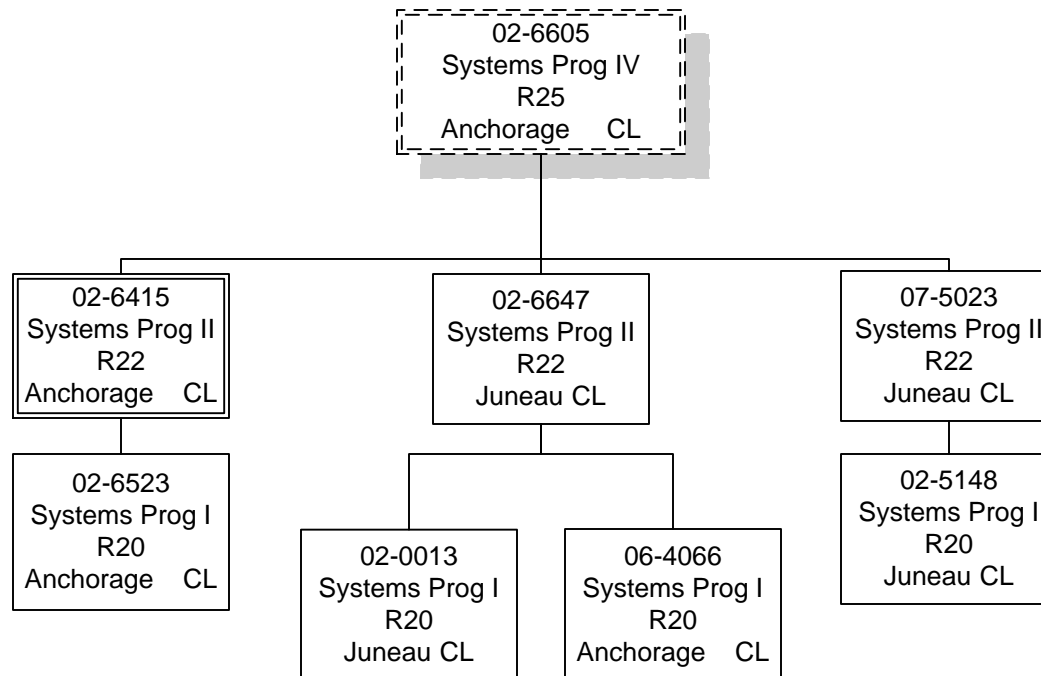
Department of Administration
11972 - Enterprise Technology Services
State Security Office



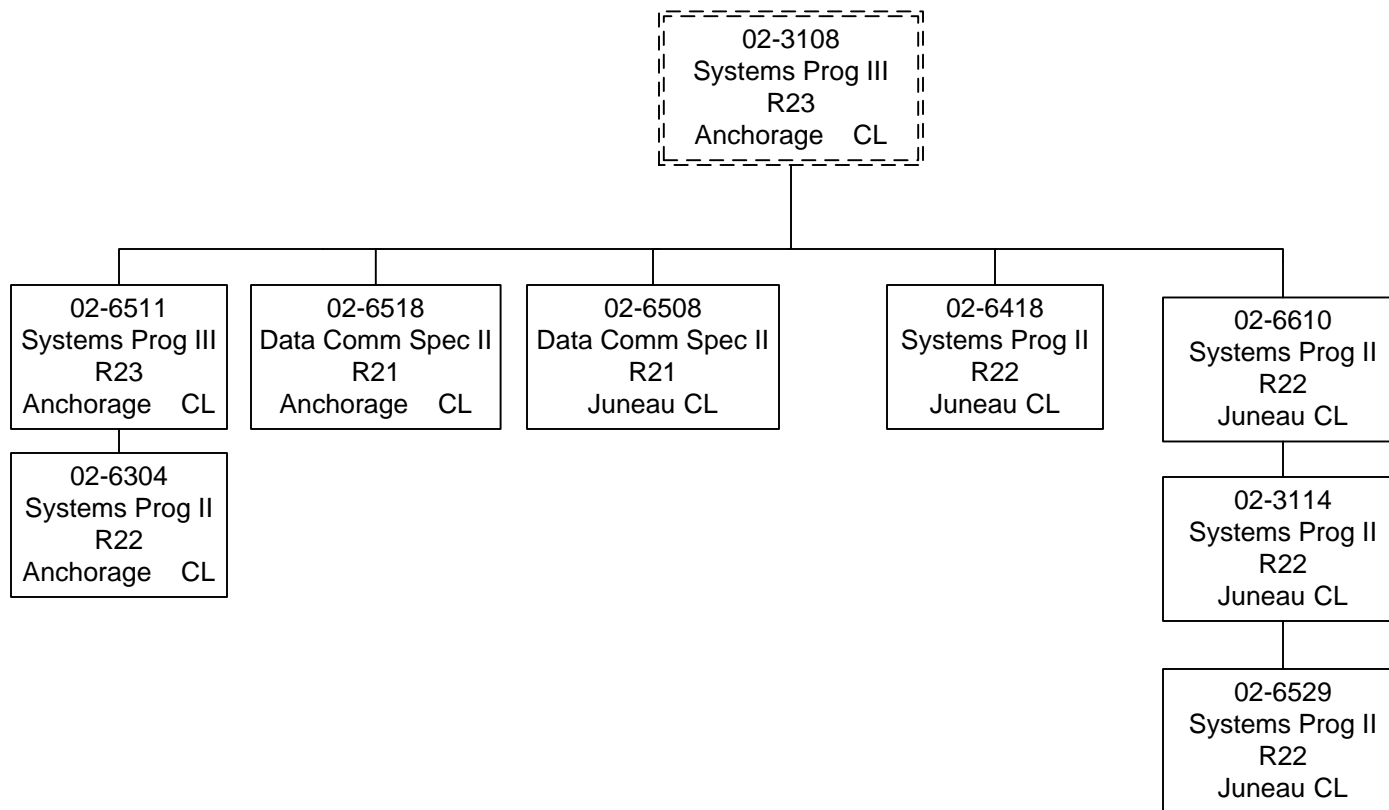
Department of Administration
11972 - Enterprise Technology Services



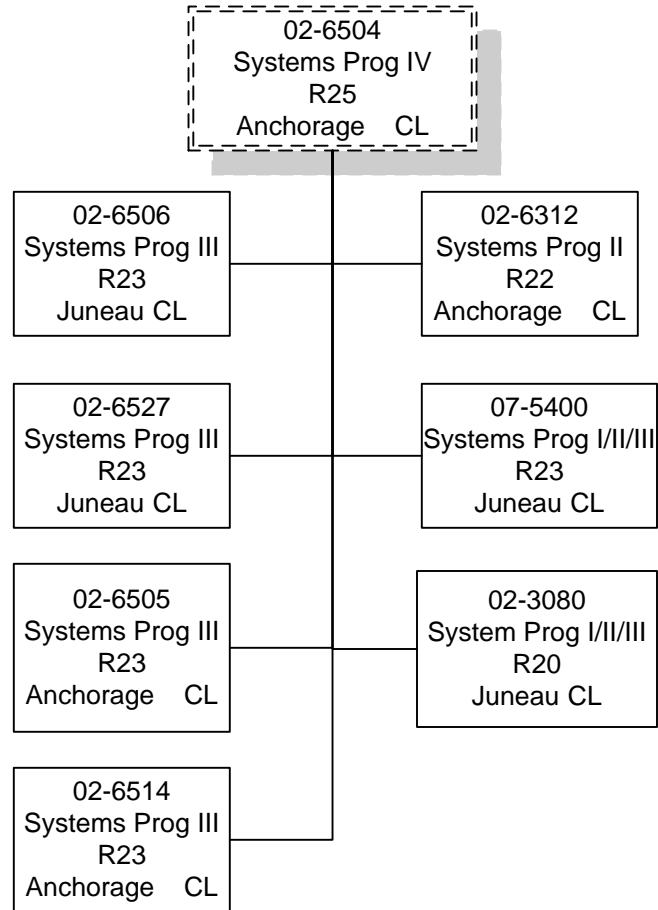
Department of Administration
11972 - Enterprise Technology Services
Exchange/Directory Services



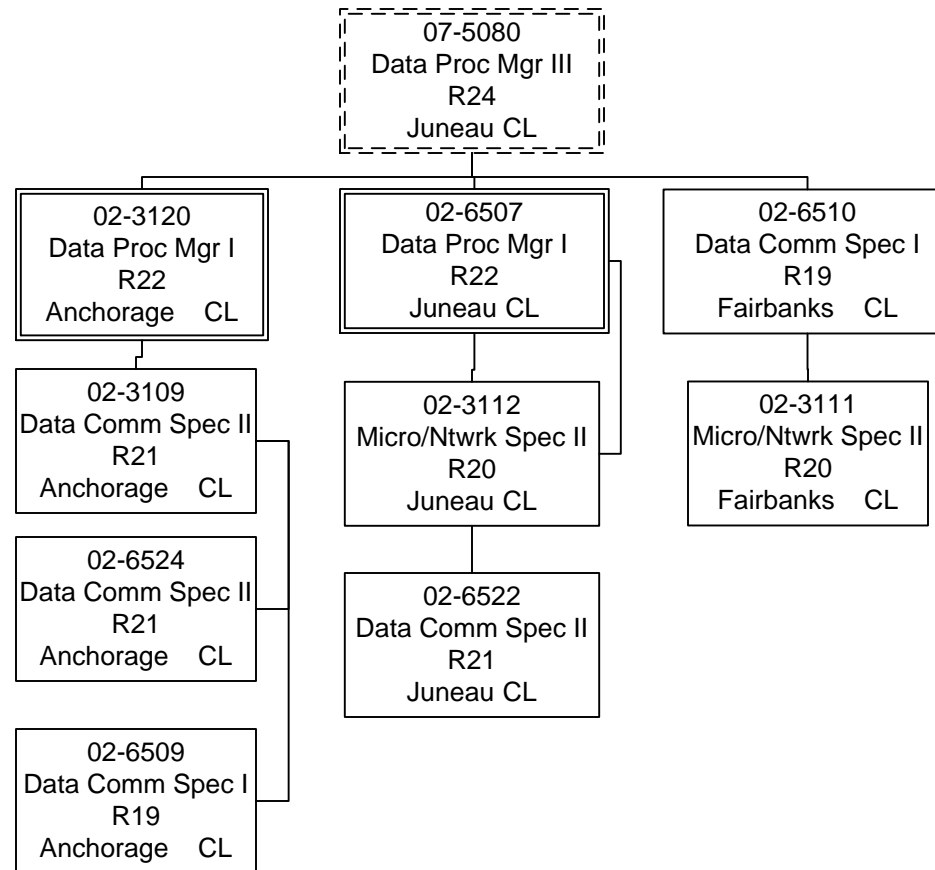
Department of Administration
11972 - Enterprise Technology Services
Infrastructure Services



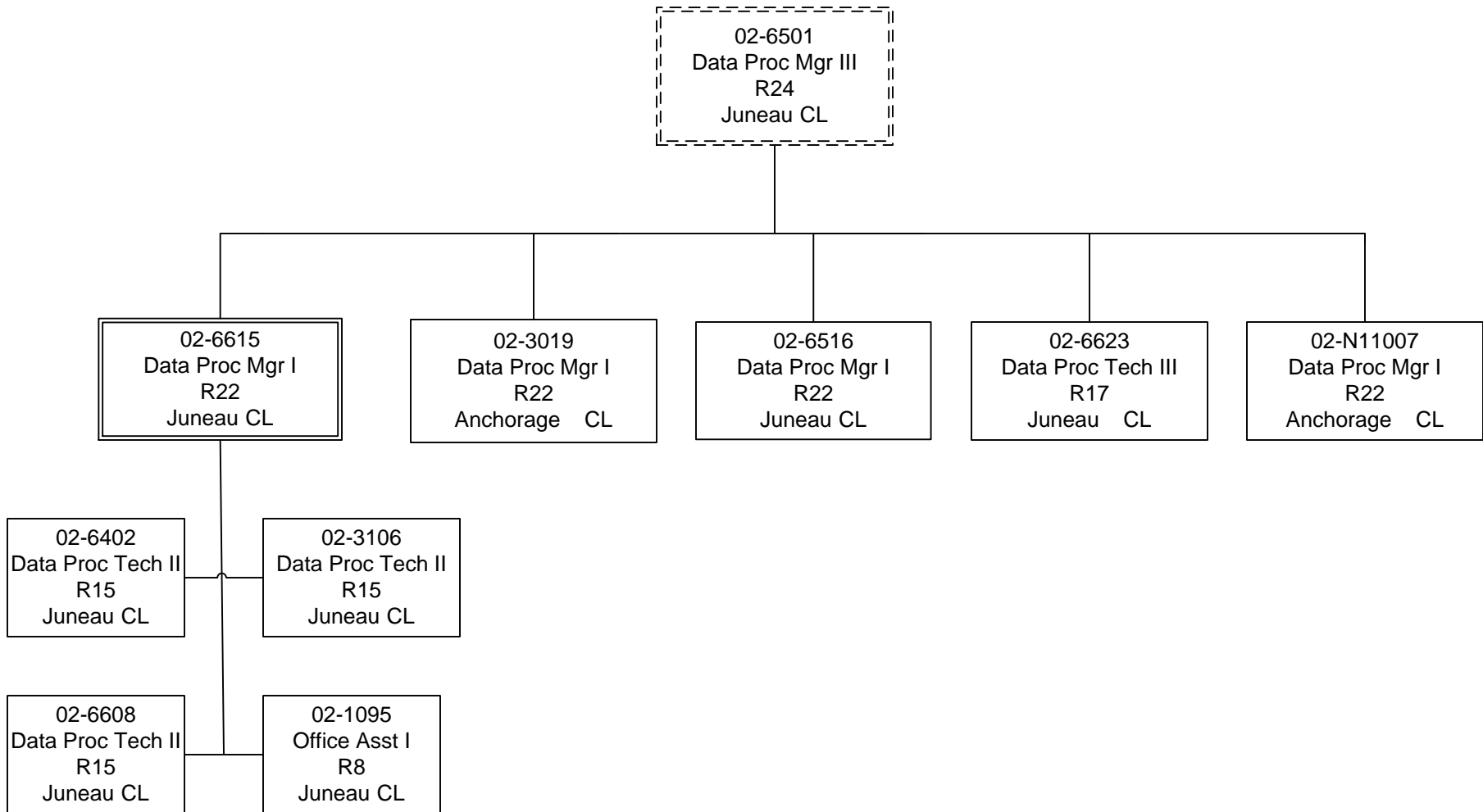
Department of Administration
11972 - Enterprise Technology Services
Mainframe Services



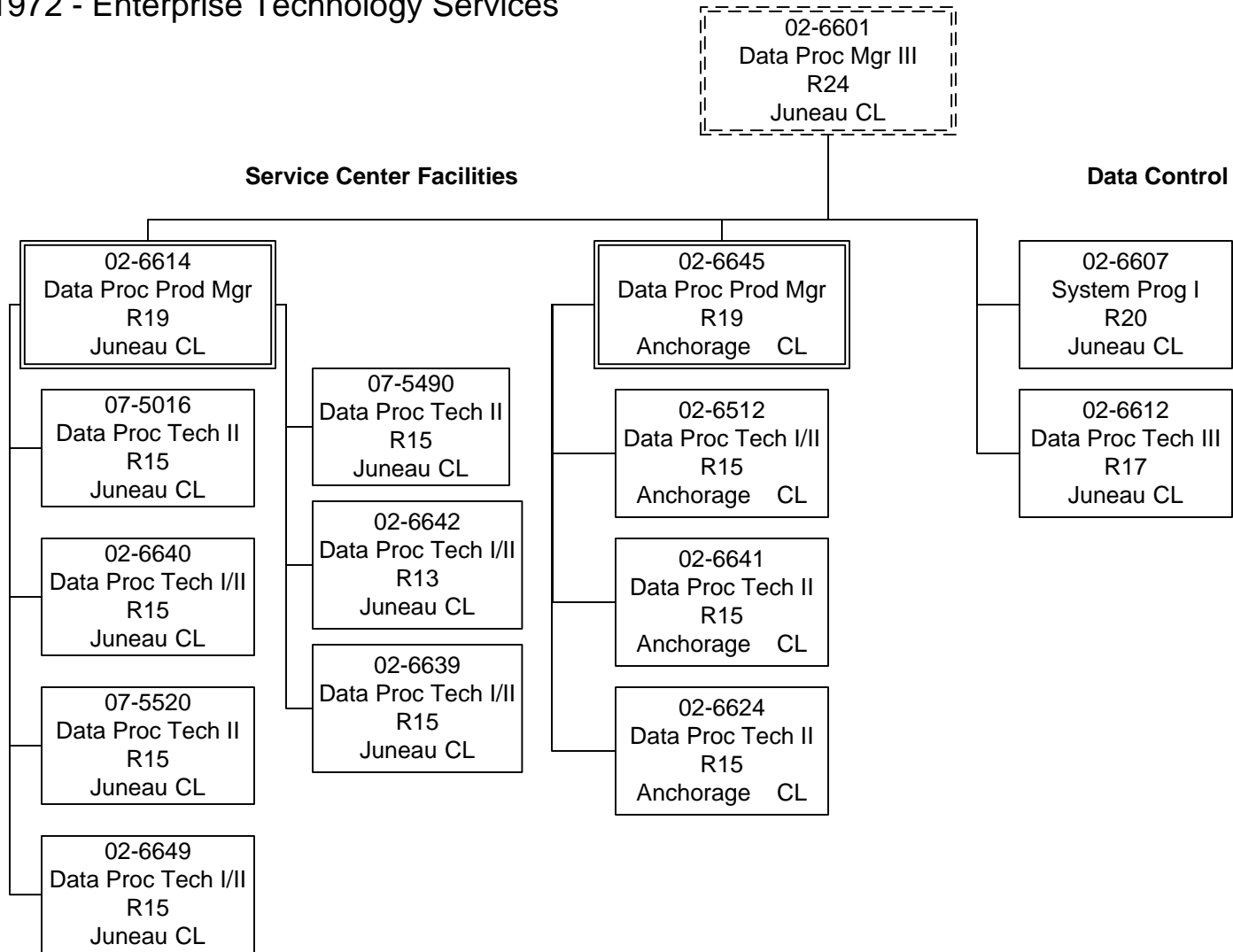
Department of Administration
11972 - Enterprise Technology Services
Network Data/Video/Voice



Department of Administration
11972 - Enterprise Technology Services
Project/Service Management Office



Department of Administration
11972 - Enterprise Technology Services



Department of Administration
11972 - Enterprise Technology Services
SATS (split PCNs)

