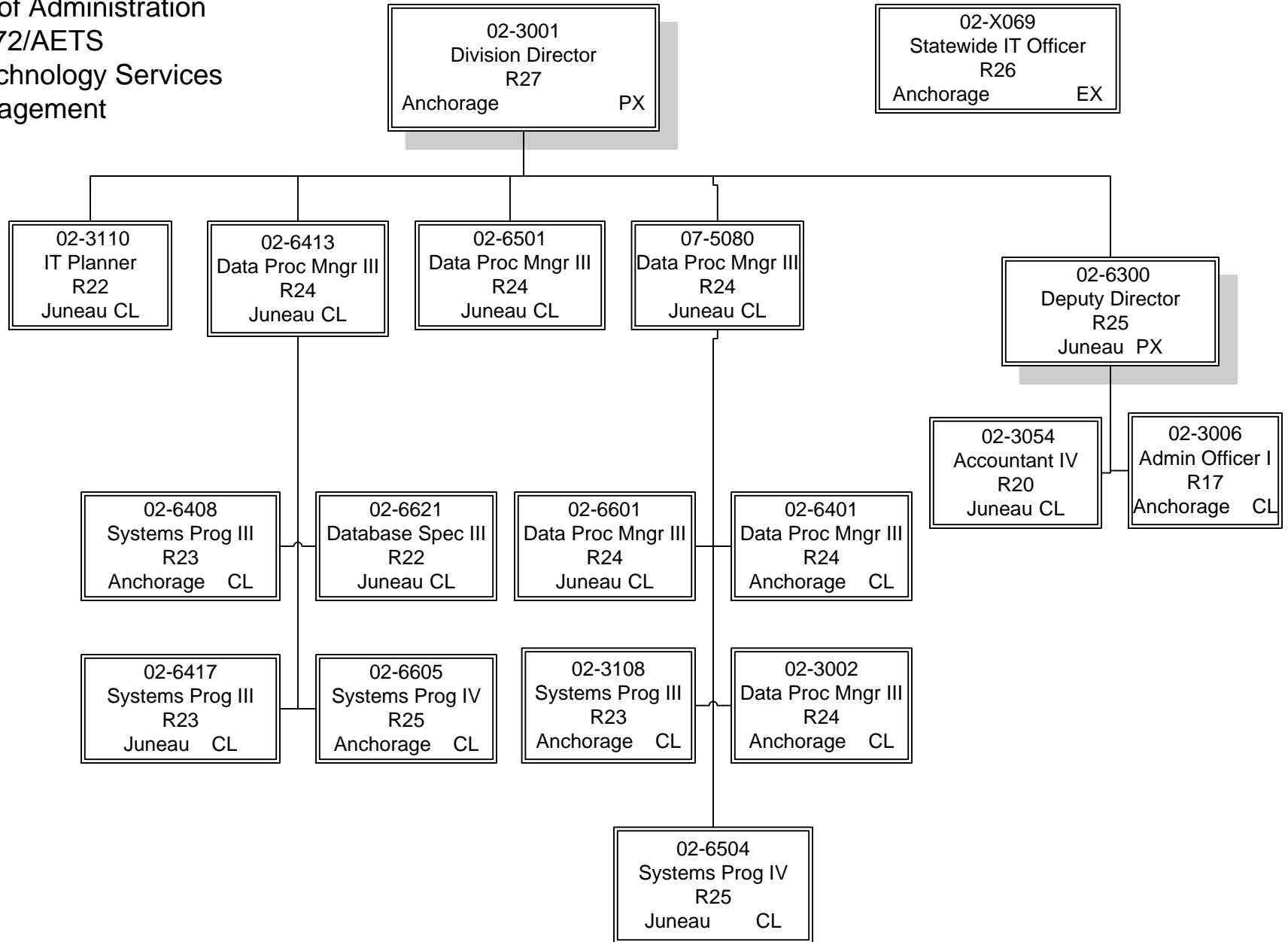
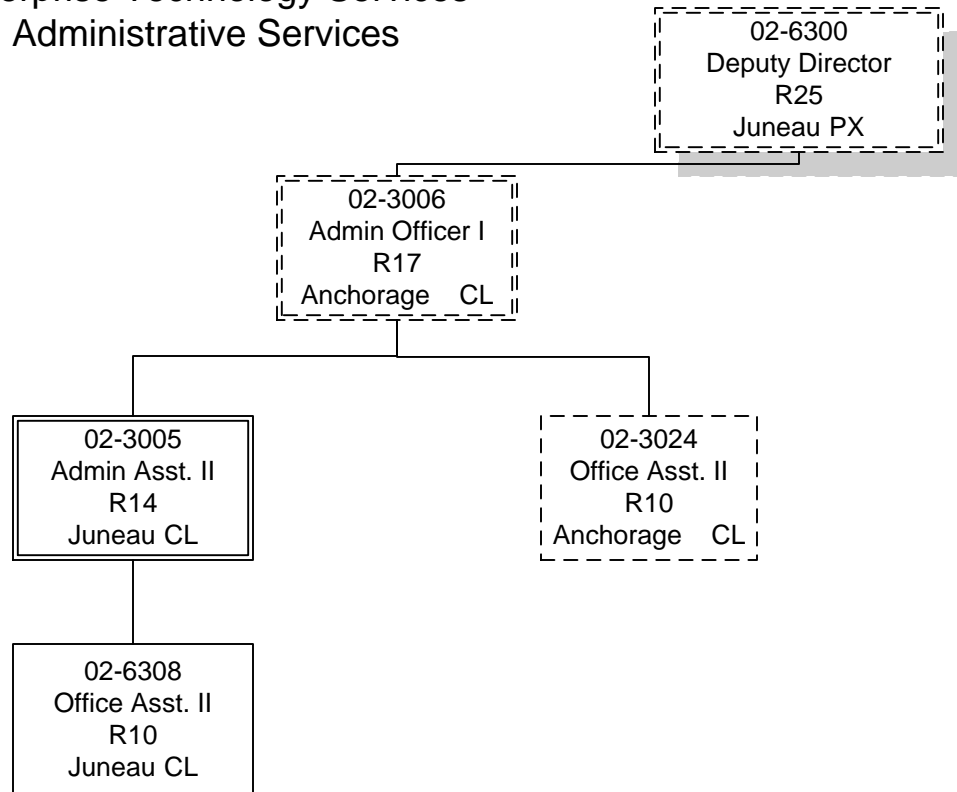


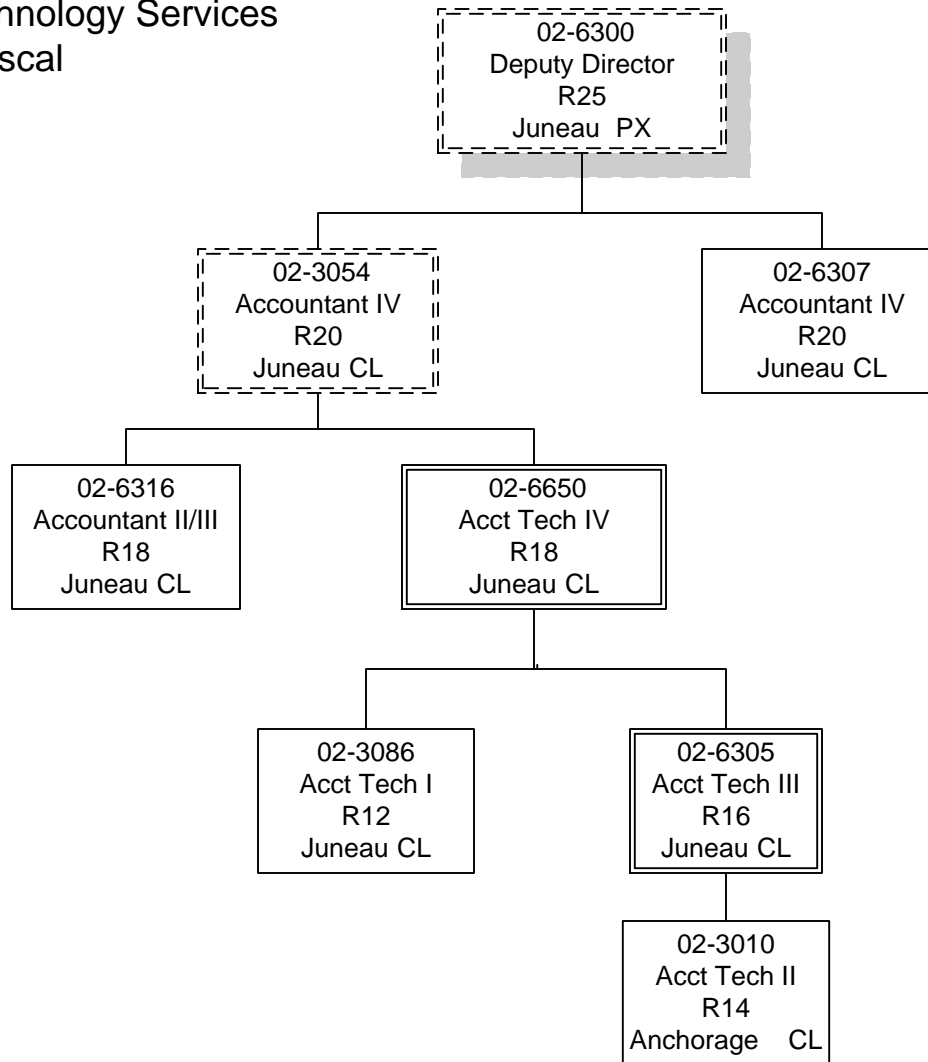
Department of Administration  
 11972/AETS  
 Enterprise Technology Services  
 Management



Department of Administration  
11972/AETS  
Enterprise Technology Services  
Administrative Services



Department of Administration  
11972/AETS  
Enterprise Technology Services  
Fiscal



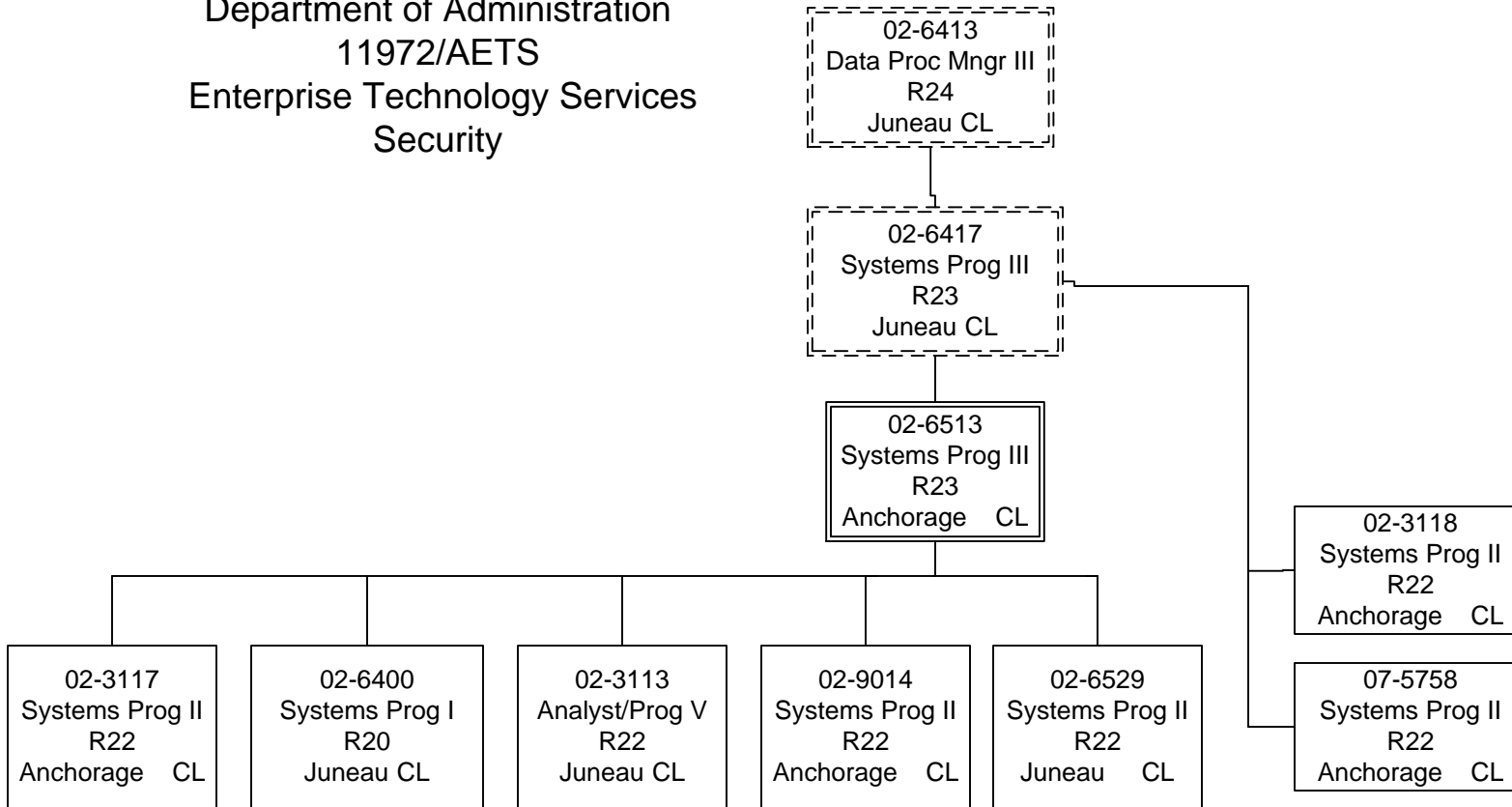
Department of Administration  
11972/AETS  
Enterprise Technology Services  
Planning-Communications

02-3001  
Division Director  
R27  
Anchorage PX

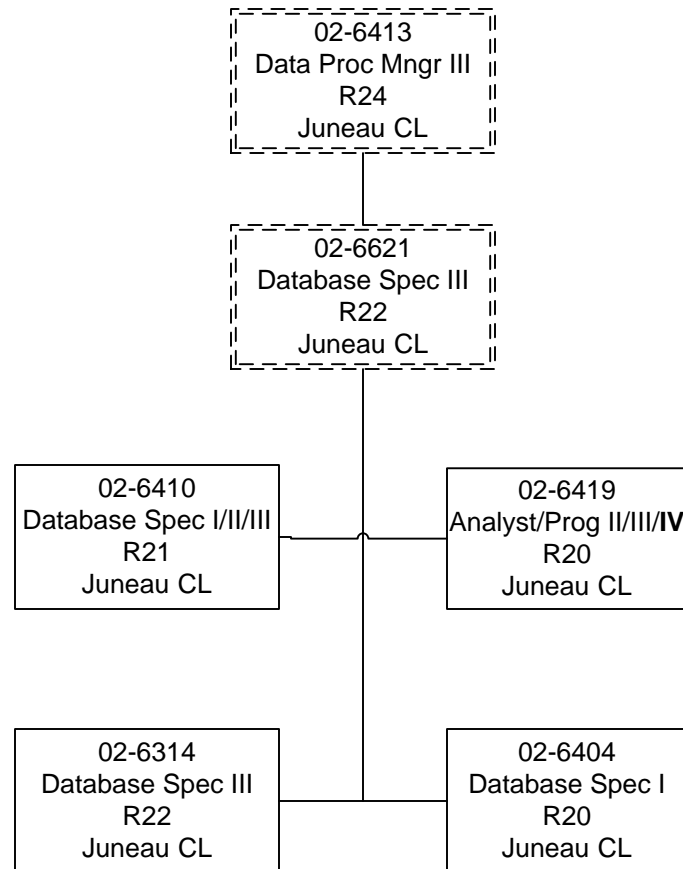
02-3110  
Info Tech Planner  
R22  
Juneau CL



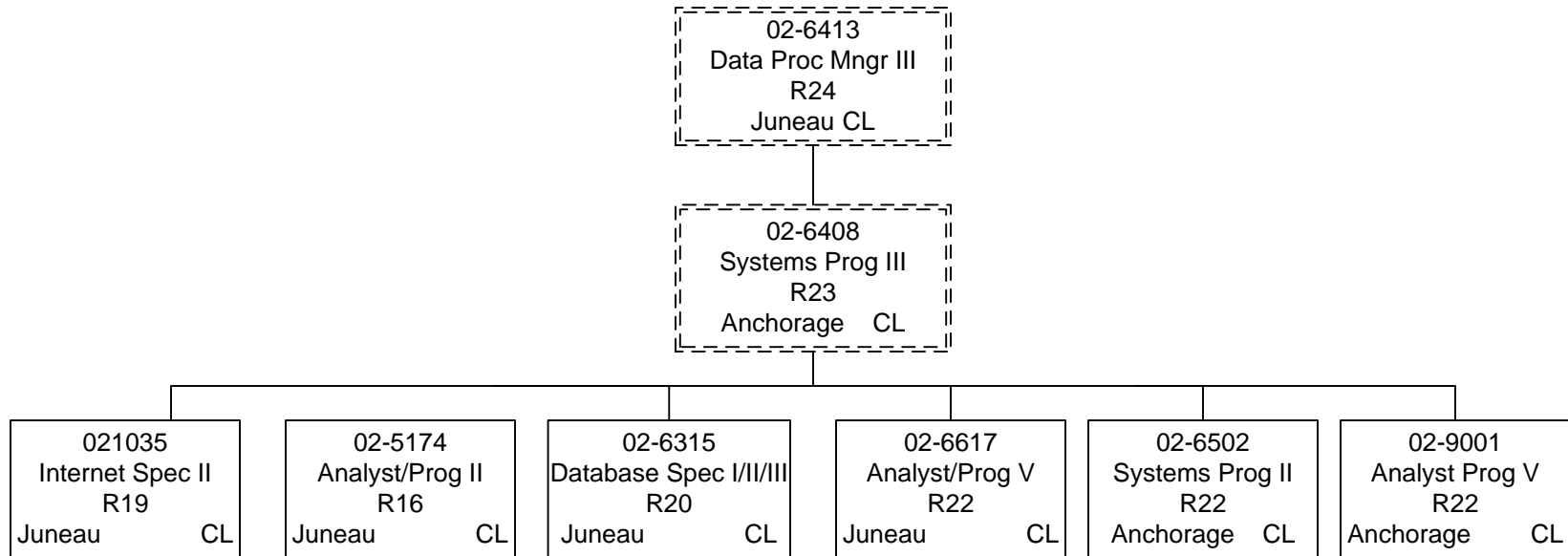
Department of Administration  
11972/AETS  
Enterprise Technology Services  
Security



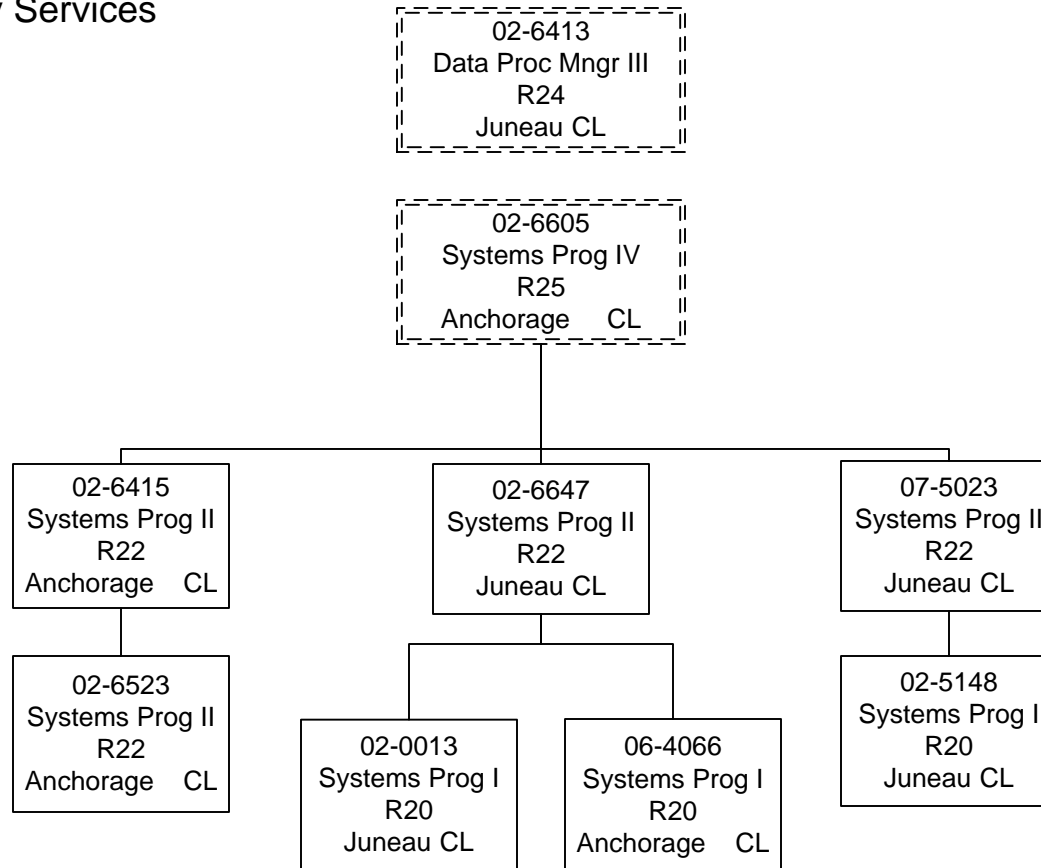
Department of Administration  
11972/AETS  
Enterprise Technology Services  
Database Services



Department of Administration  
11972/AETS  
Enterprise Technology Services  
Application Services

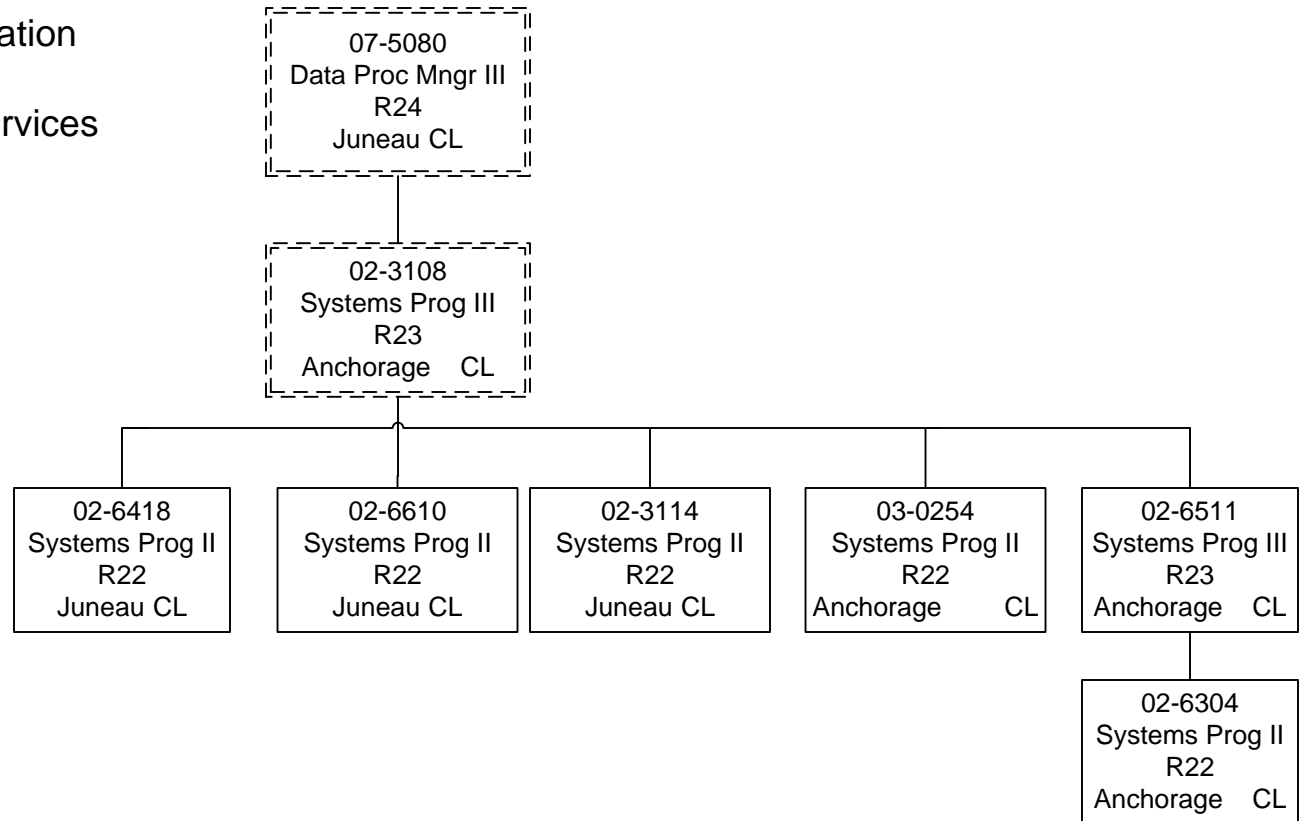


Department of Administration  
11972/AETS  
Enterprise Technology Services  
Messaging & Directory Services

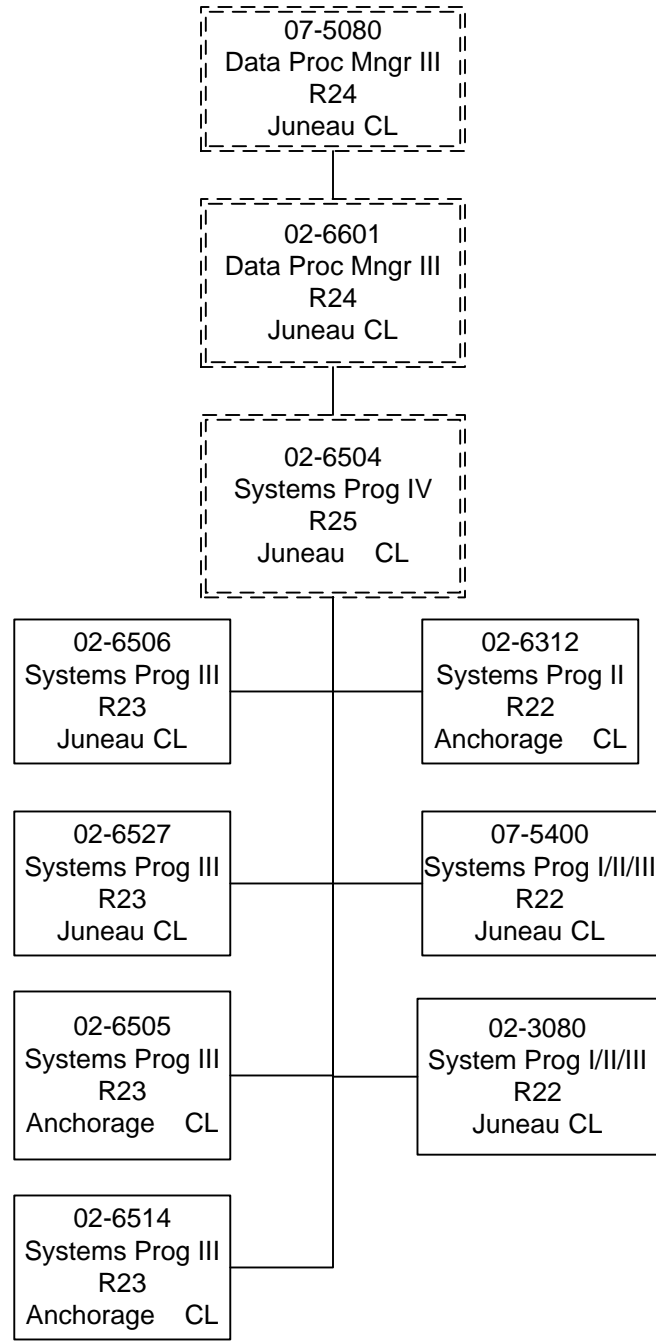




Department of Administration  
11972/AETS  
Enterprise Technology Services  
Hosting Services



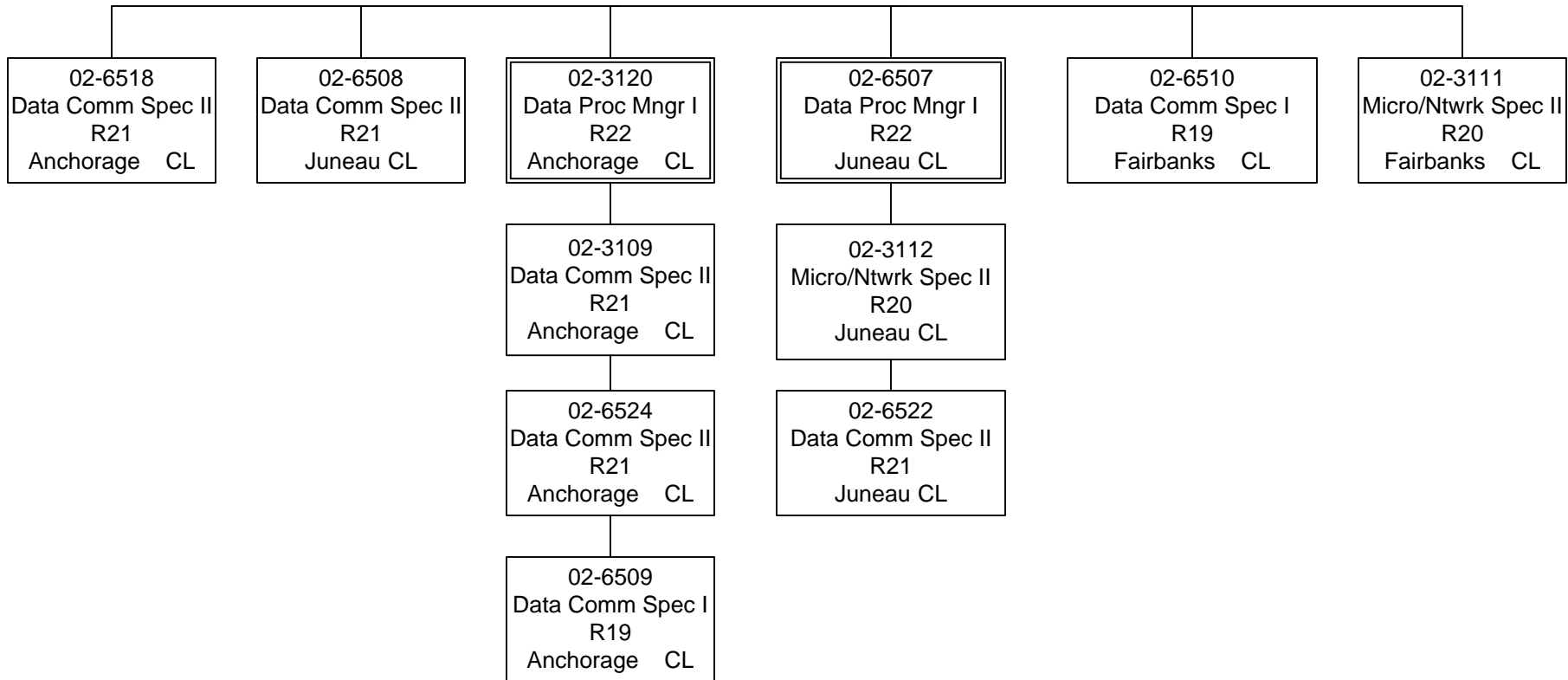
Department of Administration  
11972/AETS  
Enterprise Technology Services  
Mainframe Services



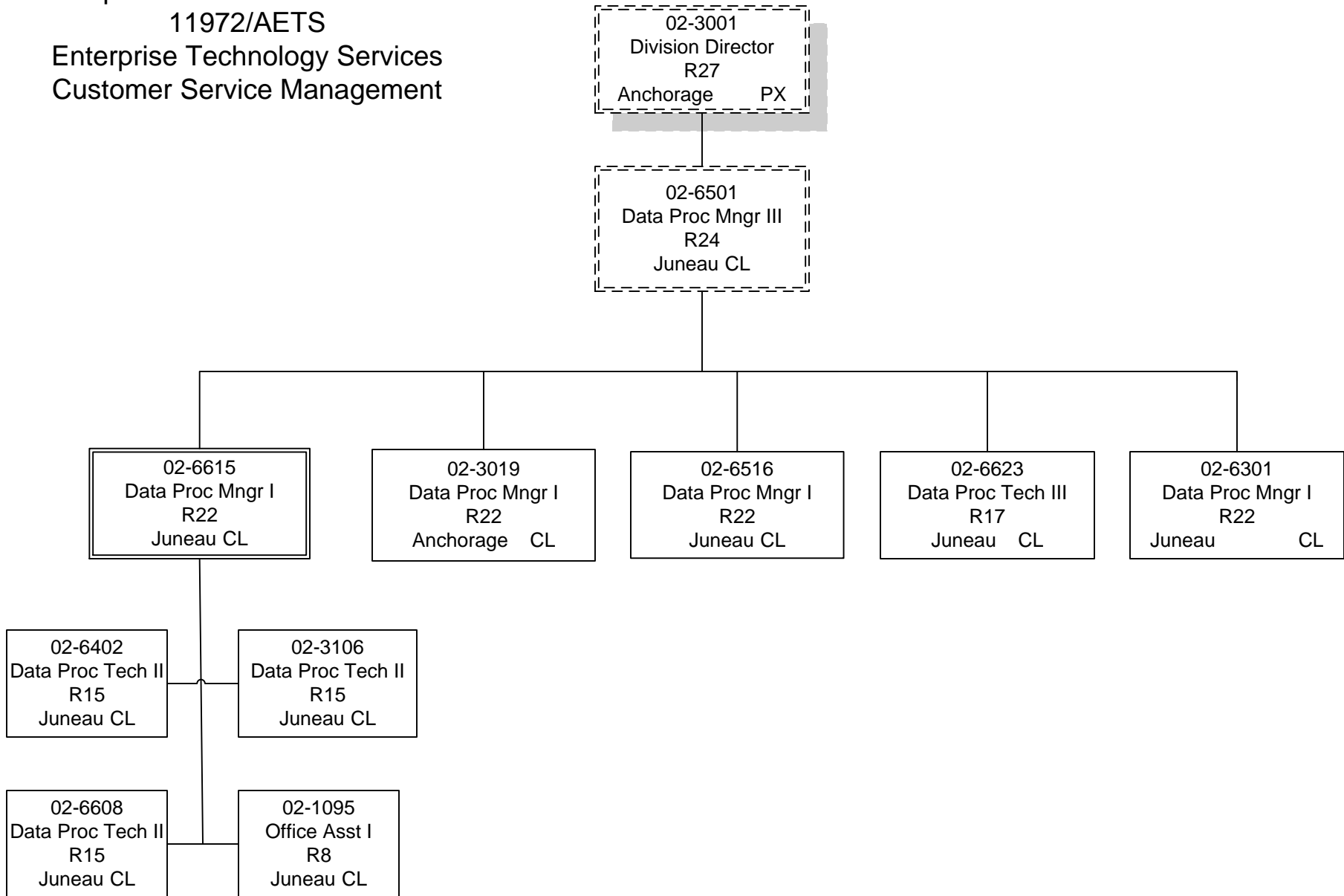
Department of Administration  
11972/AETS  
Enterprise Technology Services  
Network Services

07-5080  
Data Proc Mngr III  
R24  
Juneau CL

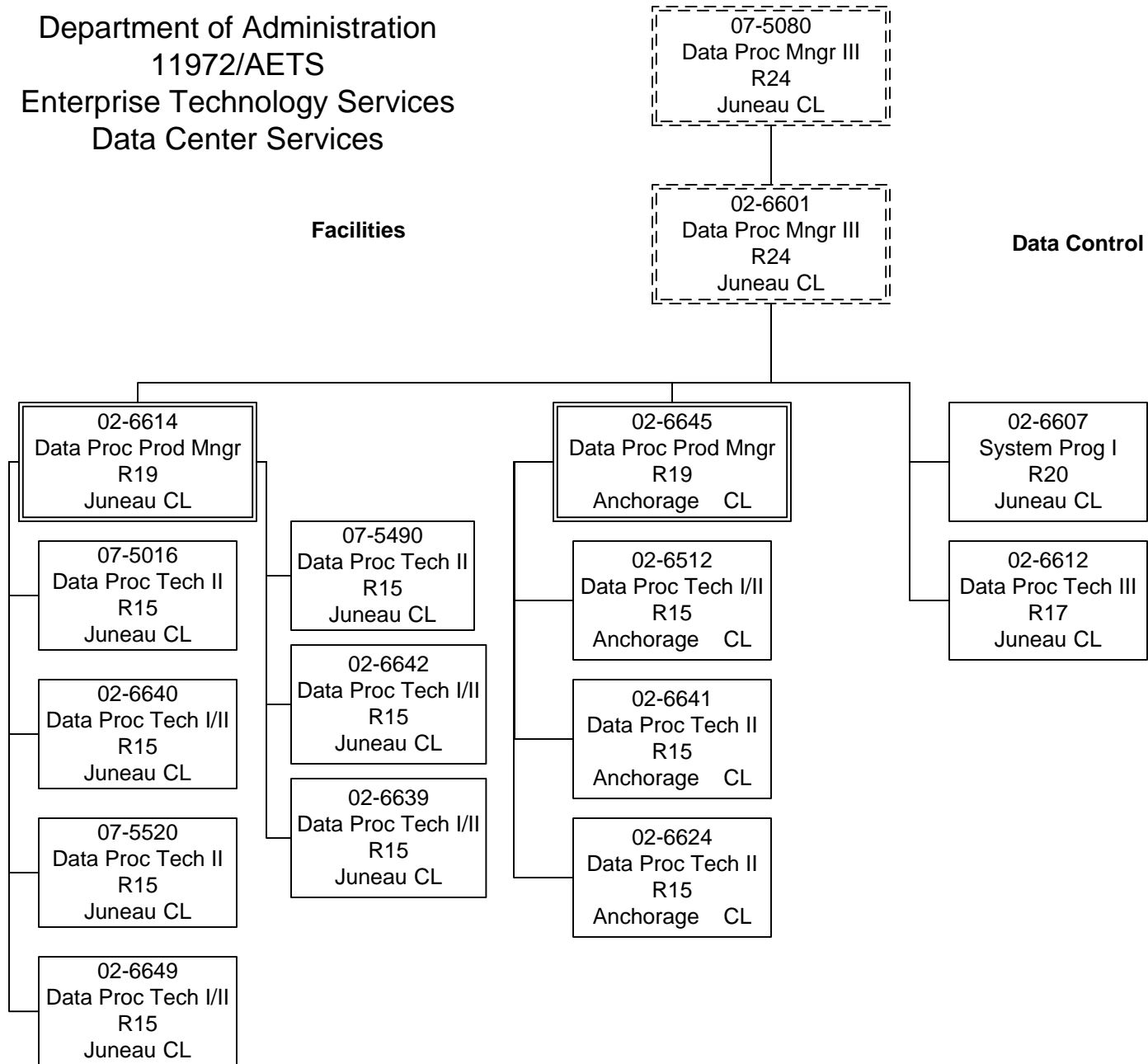
02-6401  
Data Proc Mngr III  
R24  
Anchorage CL



Department of Administration  
11972/AETS  
Enterprise Technology Services  
Customer Service Management



Department of Administration  
11972/AETS  
Enterprise Technology Services  
Data Center Services



Department of Administration  
11967/AETS  
Enterprise Technology Services

02-3050  
Maint Spec Etron Jrny II  
WG51  
Juneau CL

09-0396  
Omm Eng Assoc II  
R23  
Anchorage CL