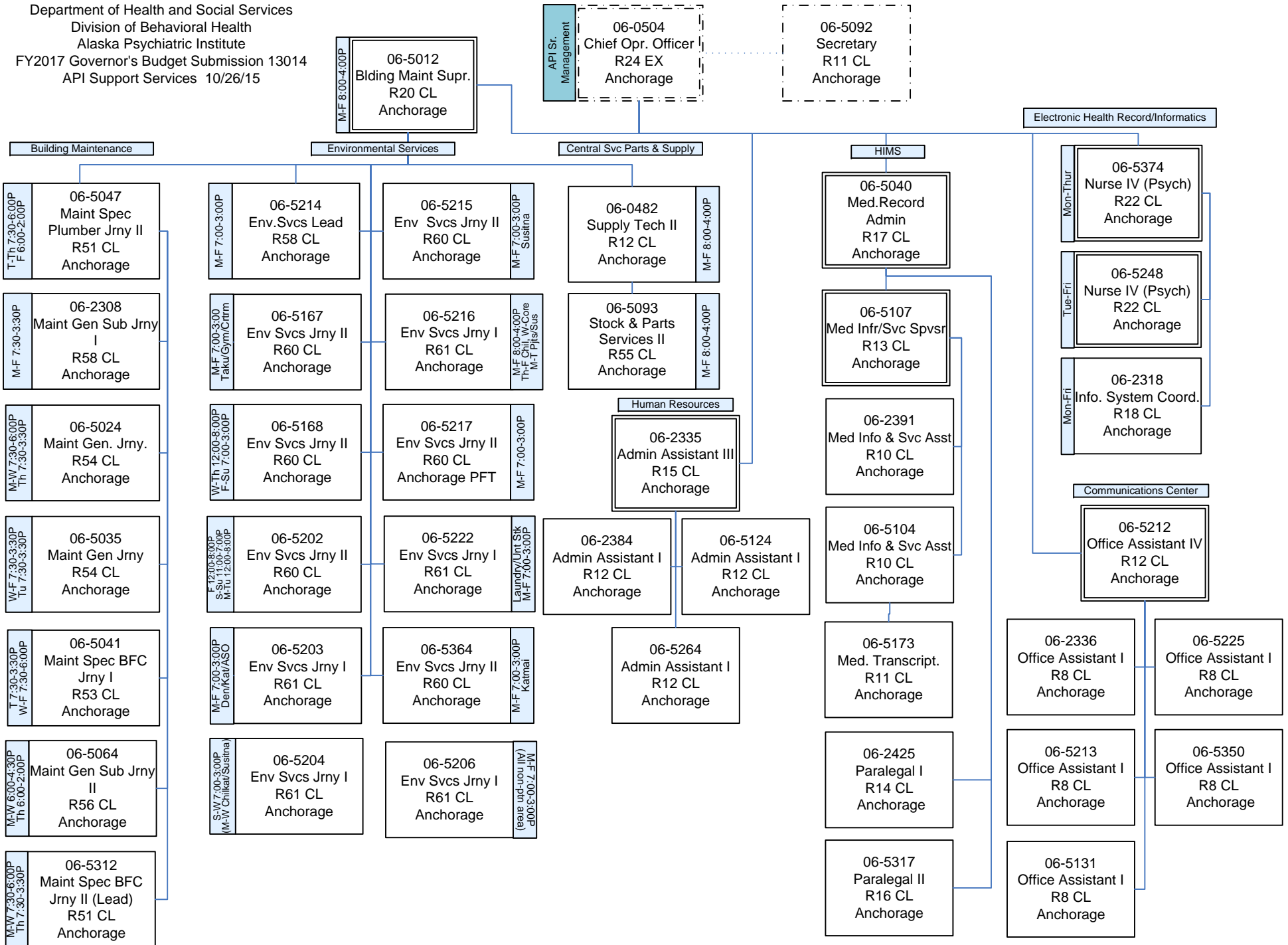
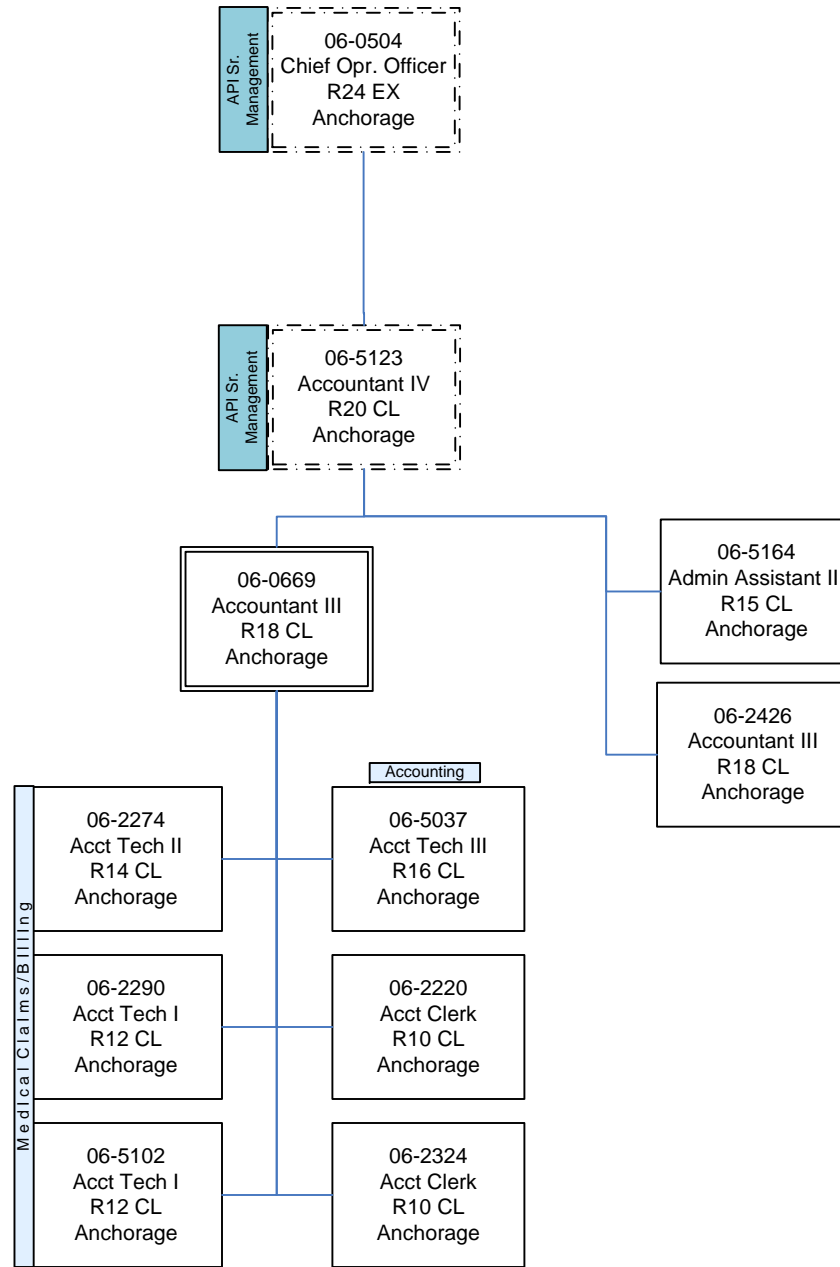
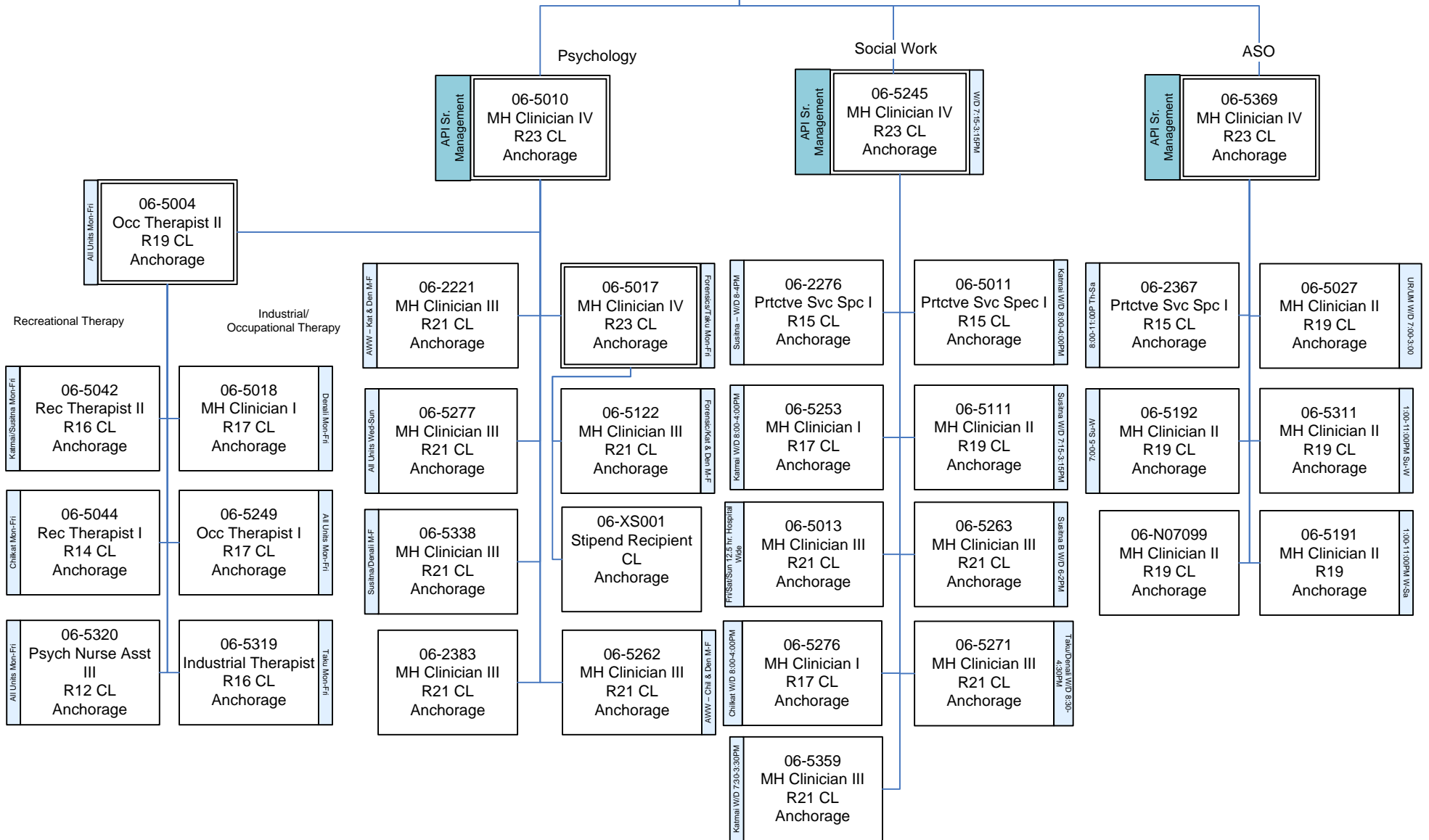


Department of Health and Social Services
 Division of Behavioral Health
 Alaska Psychiatric Institute
 FY2017 Governor's Budget Submission 13014
 API Support Services 10/26/15

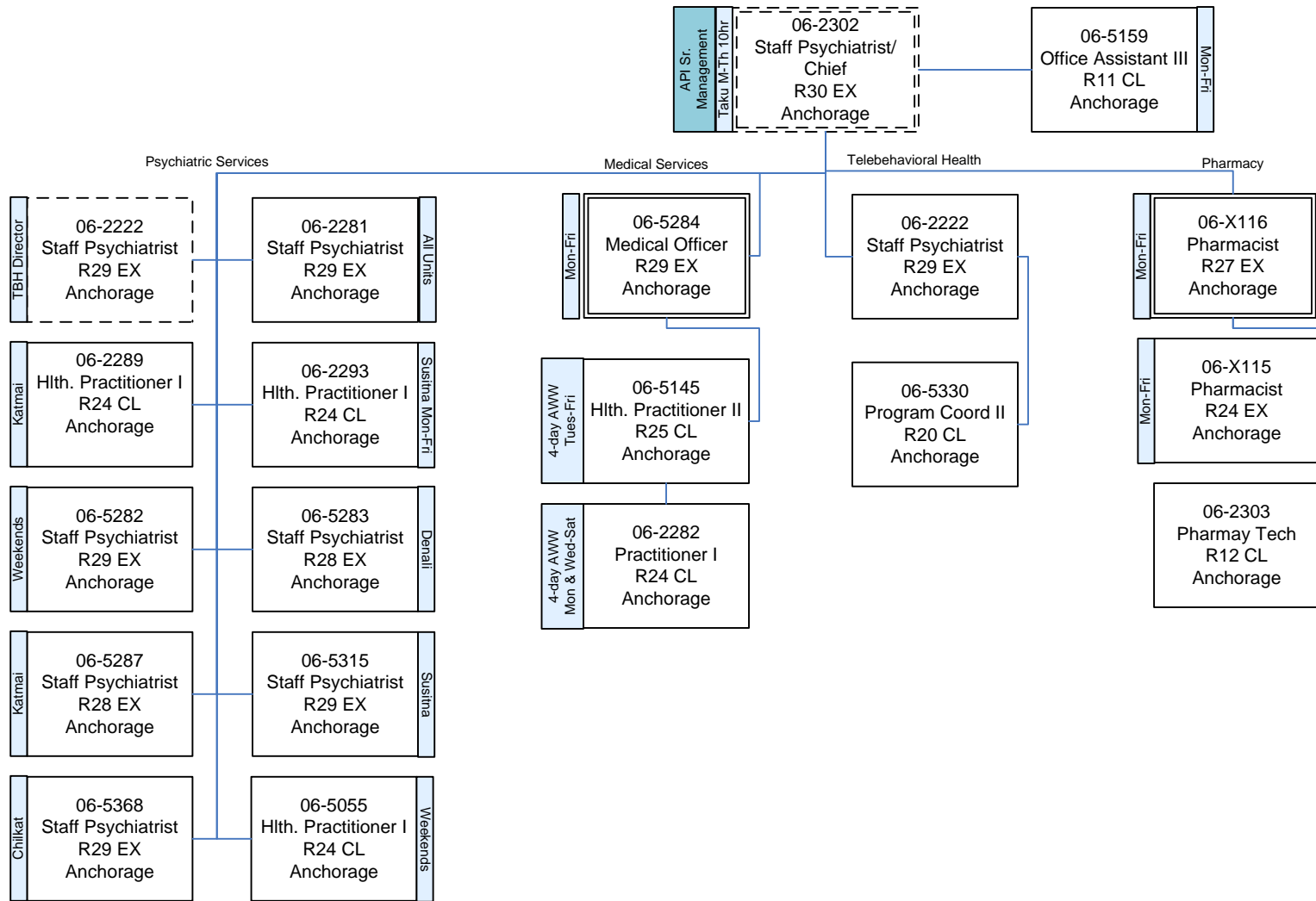




06-5347
 Director API
 R25 EX
 Anchorage



Department of Health and Social Services
 Division of Behavioral Health
 Alaska Psychiatric Institute
 FY2017 Governor's Budget Submission 13014
 Medical Services 10/26/15



06-5347
 Director API
 R25 EX
 Anchorage

06-5021
 Asst Nursing
 Director
 R23 CL
 Anchorage

06-5014
 Nursing Director
 R25 CL
 Anchorage

06-5172
 Admin Assistant II
 R14 CL
 Anchorage

NSS
 Coordinator
 06-5059
 Nurse IV (Psych)
 R22 CL
 Anchorage

Denali
 06-5050
 Nurse III (Psych)
 R20 CL
 Anchorage

Chilkat
 06-5056
 Nurse III (Psych)
 R20 CL
 Anchorage

Taku
 06-5068
 Nurse III (Psych)
 R20 CL
 Anchorage

Hospital Wide Education

06-5268
 Nurse IV (Psych)
 R22 CL
 Anchorage

Mon-Thurs
 06-5052
 Nurse III (Psych)
 R20 CL
 Anchorage

Tues-Fri
 06-5184
 Training Specialist I
 R16 CL
 Anchorage

Day

Evening

Nights

06-5310
 Nurse III (Psych)
 R20 CL
 Anchorage
 NSS W/PMT 12
 7PM-7:30AM
 RDO T-F

06-2321
 Nurse III (Psych)
 R20 CL
 Anchorage
 NSS S-S-TM
 7AM-7:30PM

06-5070
 Nurse II (Psych)
 R19 CL
 Anchorage
 Day - Float

06-5148
 Nurse III (Psych)
 R20 CL
 Anchorage
 NSS W/AM 12
 11AM-1:30PM
 RDO T-F

06-5106
 Nurse III (Psych)
 R20 CL
 Anchorage
 NSS Evening

06-5152
 Nurse III (Psych)
 R20 CL
 Anchorage
 NSS Nights

06-5375
 Nurse II
 R19 CL
 Anchorage
 Float

06-5157
 Nurse I
 R18 CL
 Anchorage
 NSS WD12
 7AM-7:30PM

06-5031
 Psych Nurse Asst
 III
 R10 CL
 Anchorage
 Evening Float
 3:00PM-11PM
 RDO Su-M

06-5349
 Psych Nurse Asst III
 R12 CL
 Anchorage
 Admission/Safety

06-5372
 Nurse II (Psych)
 R19 CL
 Anchorage
 Float ASO/NSS

06-5187
 Psych Nurse Asst
 III
 R12 CL
 Anchorage
 Admission/Safety

06-5179
 Office Assistant I
 R8 CL
 Anchorage
 Float D12

06-5126
 Office Assistant I
 R8 CL
 Anchorage

06-2337
 Psych Nurse Asst I/
 II/III
 R9/10/12 CL
 Anchorage
 Admission/Safety

06-5363
 Psych Nurse Asst
 III
 R12 CL
 Anchorage
 Admissions/Safety
 T-F 10A-9P

06-5304
 Psych Nurse Asst
 III
 R12 CL
 Anchorage
 ASO/Float S/S/M
 7AM-7:30PM

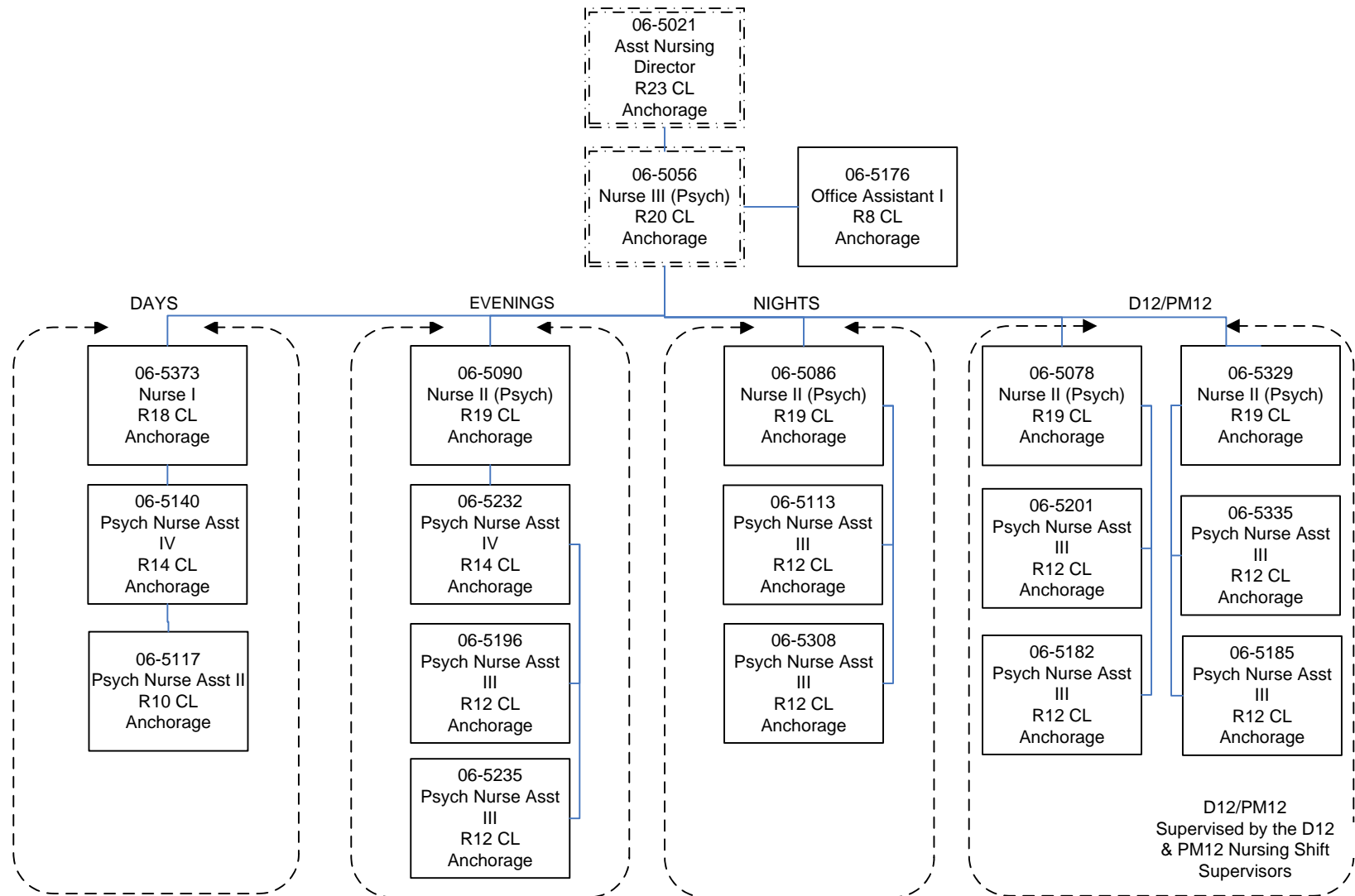
06-5072
 Nurse I (Psych)
 R19 CL
 Anchorage
 Evening Float

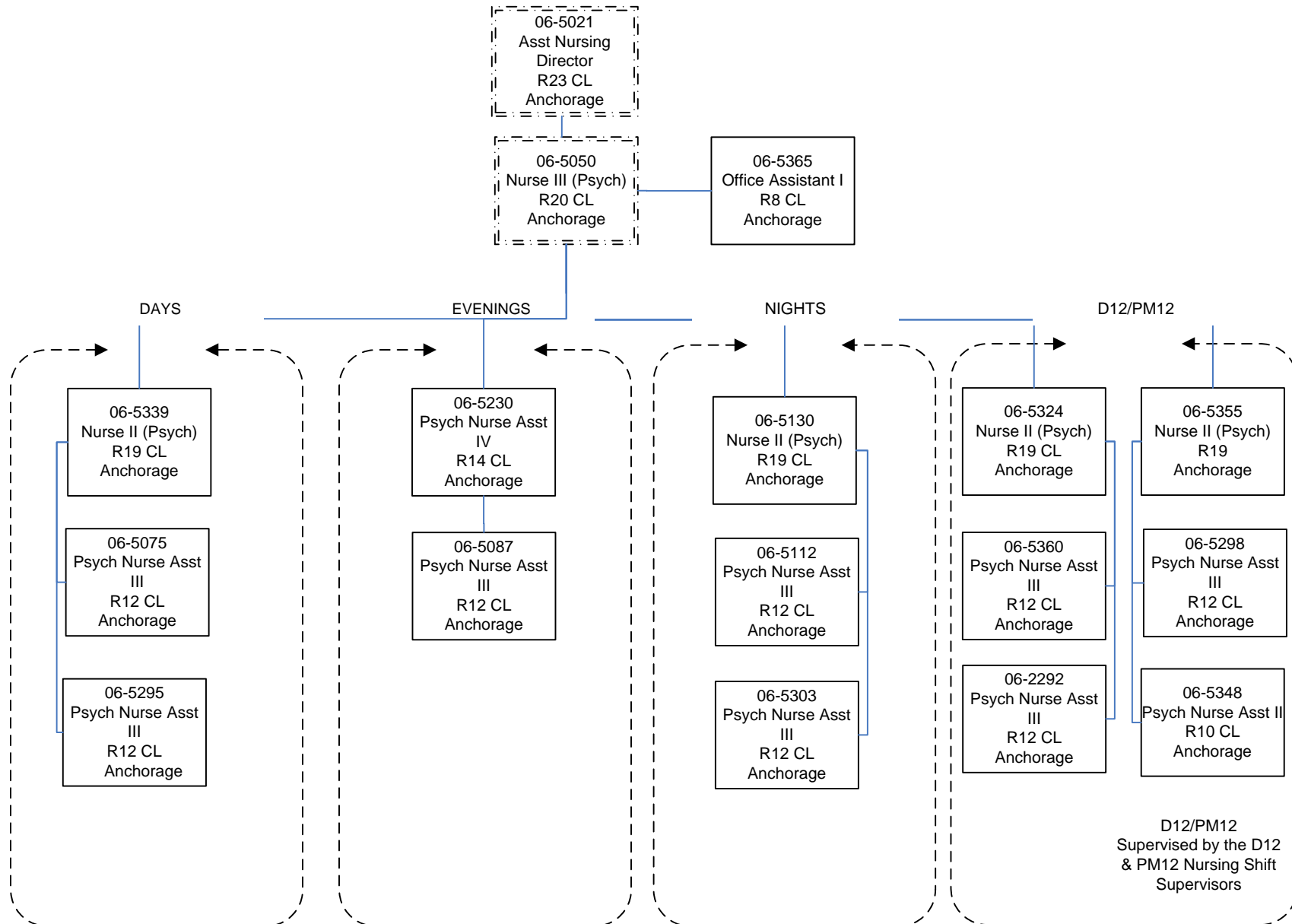
Nursing On-Call Pool

06-N07105
 Psych Nurse Asst I
 R9 CL
 Anchorage

06-N07106
 Nurse I
 R18 CL
 Anchorage

06-N07107
 Nurse II (Psych)
 R19 CL
 Anchorage





06-5021
 Asst Nursing
 Director
 R23 CL
 Anchorage

06-5054
 Nurse III (Psych)
 R20 CL
 Anchorage

06-5125
 Office Assistant I
 R8 CL
 Anchorage

DAYS

EVENINGS

NIGHTS

D12/PM12

06-5356
 Nurse II (Psych)
 R19 CL
 Anchorage

06-5267
 Nurse II (Psych)
 R19 CL
 Anchorage

06-5332
 Nurse I
 R18 CL
 Anchorage

06-2338
 Nurse II
 R19 CL
 Anchorage

06-2277
 Nurse I
 R18 CL
 Anchorage

06-5089
 Nurse II
 R19 CL
 Anchorage

06-5034
 Nurse II (Psych)
 R19 CL
 Anchorage

06-5109
 Nurse II (Psych)
 R19 CL
 Anchorage

06-5357
 Psych Nurse Asst
 IV
 R14 CL
 Anchorage

06-5275
 Psych Nurse Asst
 IV
 R14 CL
 Anchorage

06-5280
 Psych Nurse Asst
 IV
 R14 CL
 Anchorage

06-5154
 Nurse II (Psych)
 R19 CL
 Anchorage

06-2348
 Nurse II (Psych)
 R19 CL
 Anchorage

06-5197
 Psych Nurse Asst II
 R10 CL
 Anchorage

06-5334
 Psych Nurse Asst
 III
 R12 CL
 Anchorage

06-2297
 Psych Nurse Asst II
 R10 CL
 Anchorage

06-5175
 Psych Nurse Asst
 III
 R12 CL
 Anchorage

06-5193
 Psych Nurse Asst II
 R10 CL
 Anchorage

06-5233
 Psych Nurse Asst
 III
 R12 CL
 Anchorage

06-5143
 Psych Nurse Asst
 IV
 R14 CL
 Anchorage

06-5139
 Psych Nurse Asst II
 R10 CL
 Anchorage

06-5361
 Psych Nurse Asst
 III
 R12 CL
 Anchorage

06-5278
 Psych Nurse Asst II
 R10 CL
 Anchorage

06-5294
 Psych Nurse Asst II
 R10 CL
 Anchorage

06-5302
 Psych Nurse Asst
 III
 R12 CL
 Anchorage

06-2284
 Psych Nurse Asst
 III
 R12 CL
 Anchorage

06-5188
 Psych Nurse Asst
 III
 R12 CL
 Anchorage

06-5155
 Psych Nurse Asst
 III
 R12 CL
 Anchorage

