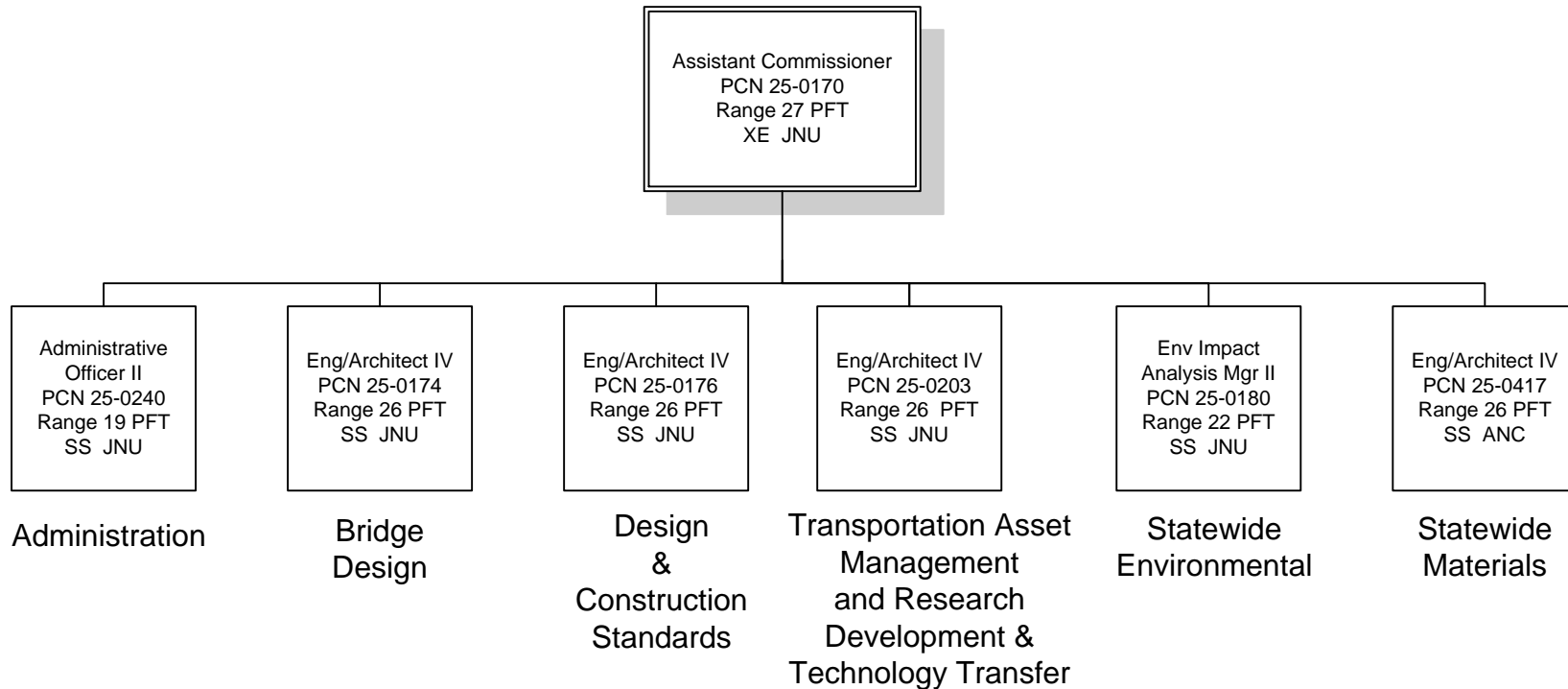


Department of Transportation & Public Facilities
RDU: Design, Engineering and Construction
Component: Statewide Design & Engineering Services
FY2017 Governor's Budget
72 - PFT, 2 - PPT, 4 - NP



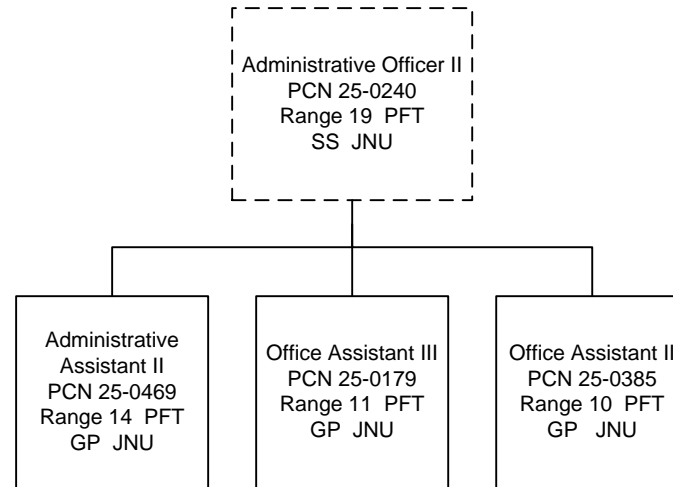
Chief Engineer's Office



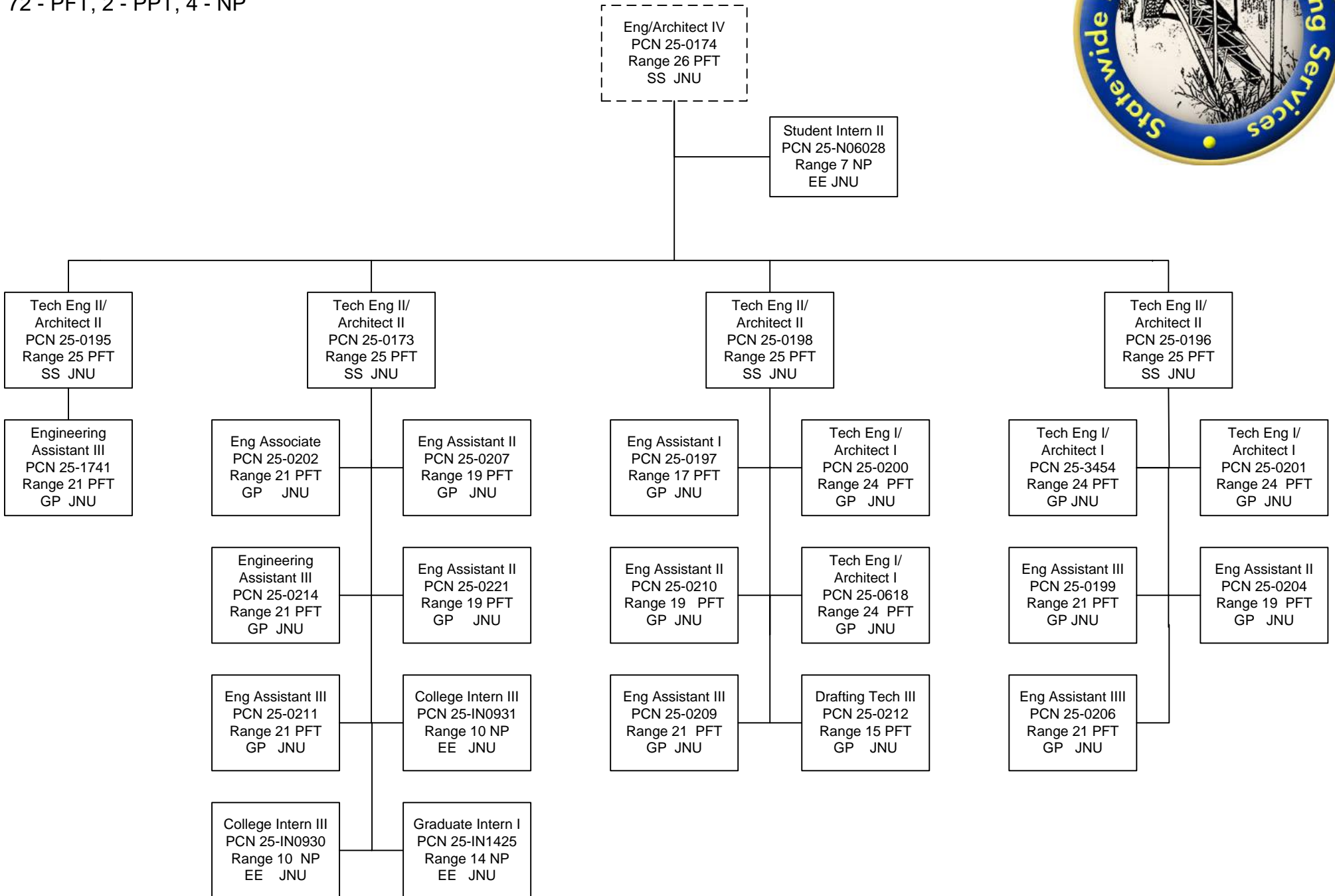
Department of Transportation & Public Facilities
RDU: Design, Engineering and Construction
Component: Statewide Design & Engineering Services
FY2017 Governor's Budget
72 - PFT, 2 - PPT, 4 - NP



Administration

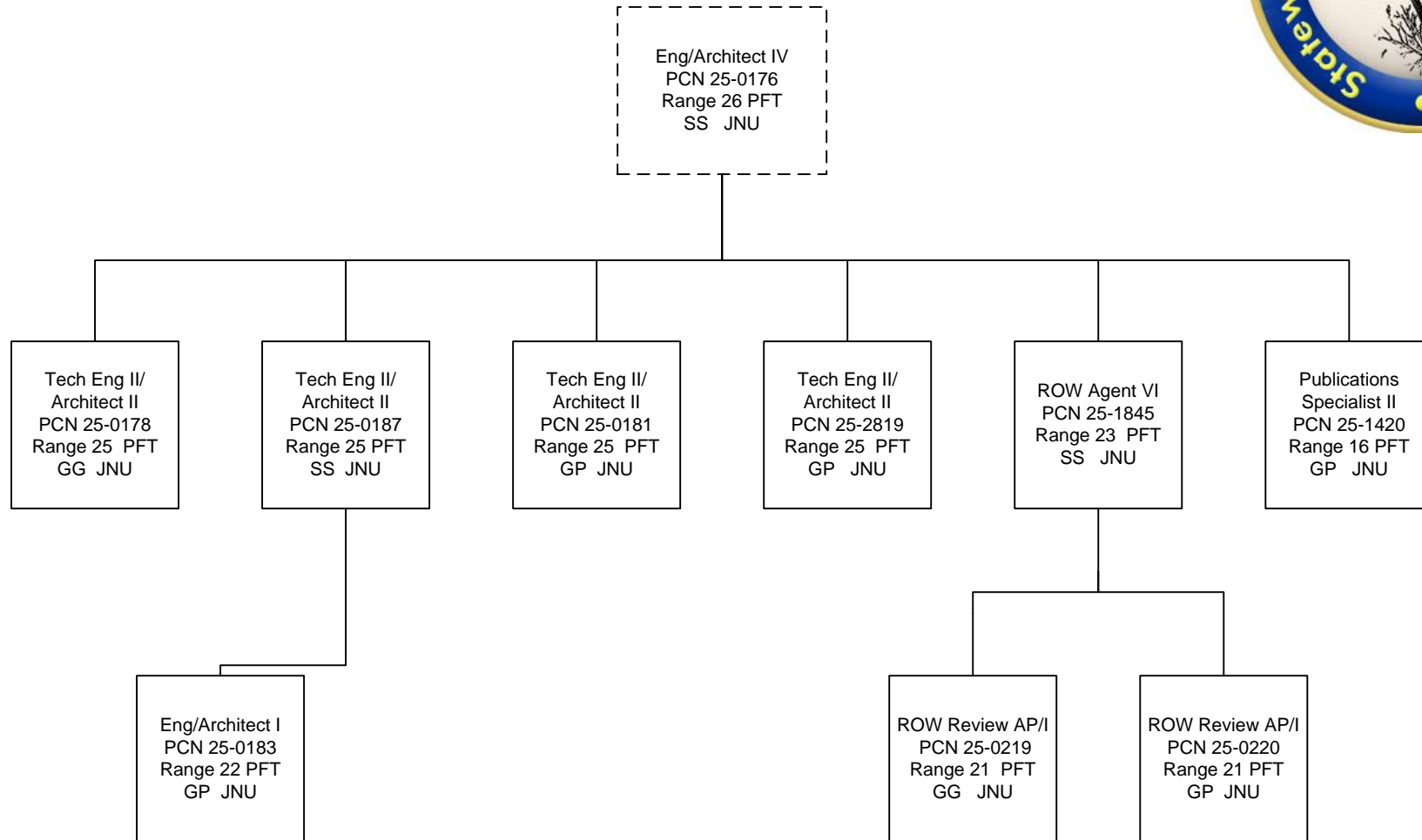


Bridge Design



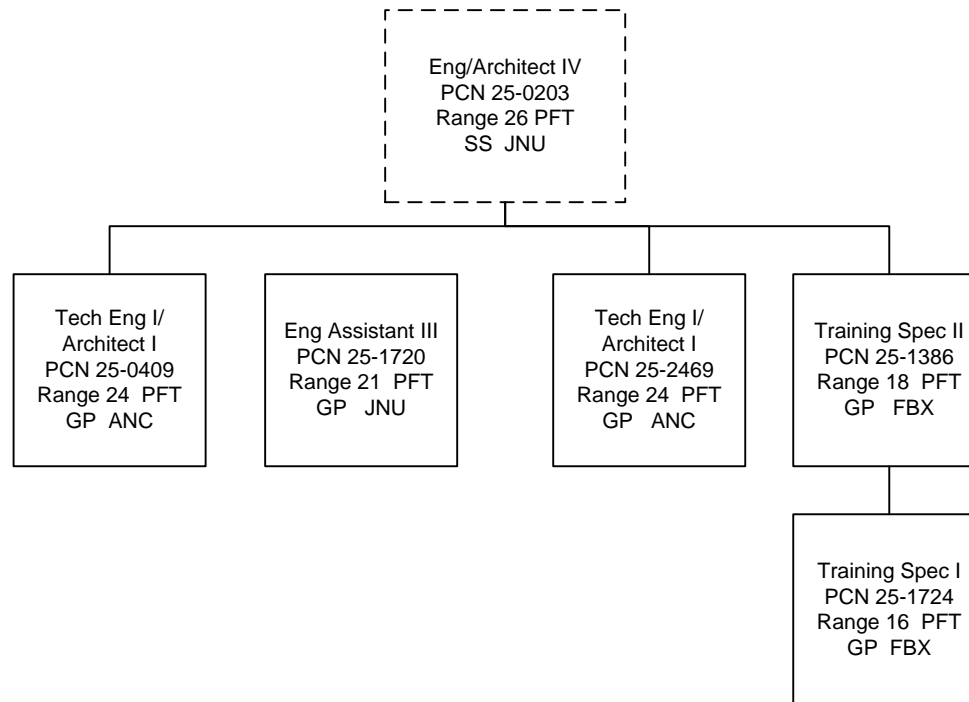


Design & Construction Standards



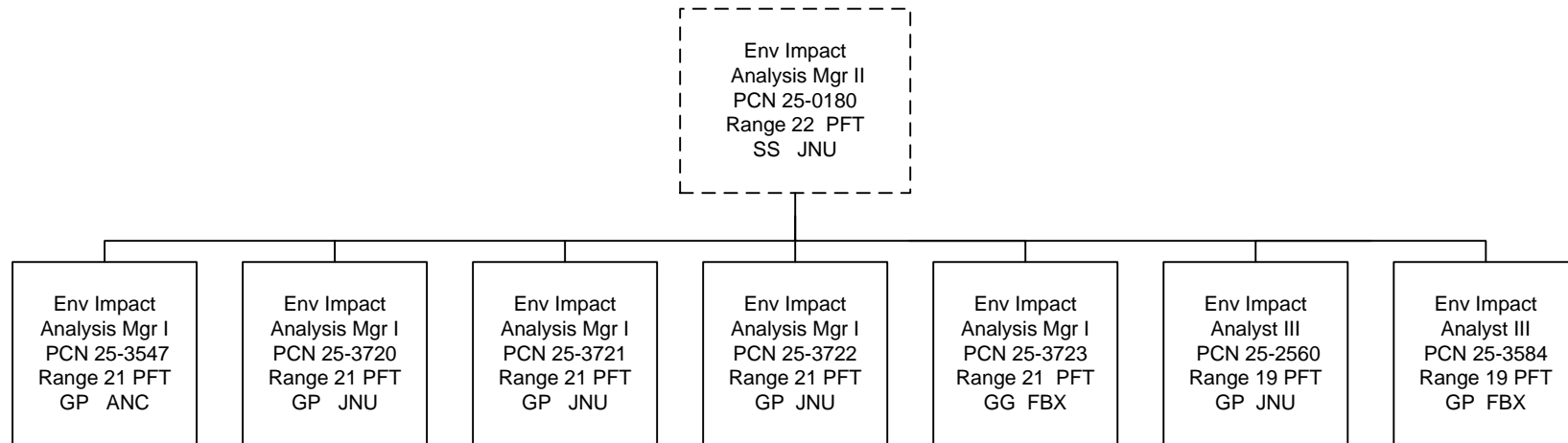


Transportation Asset Management and Research Development & Technology Transfer





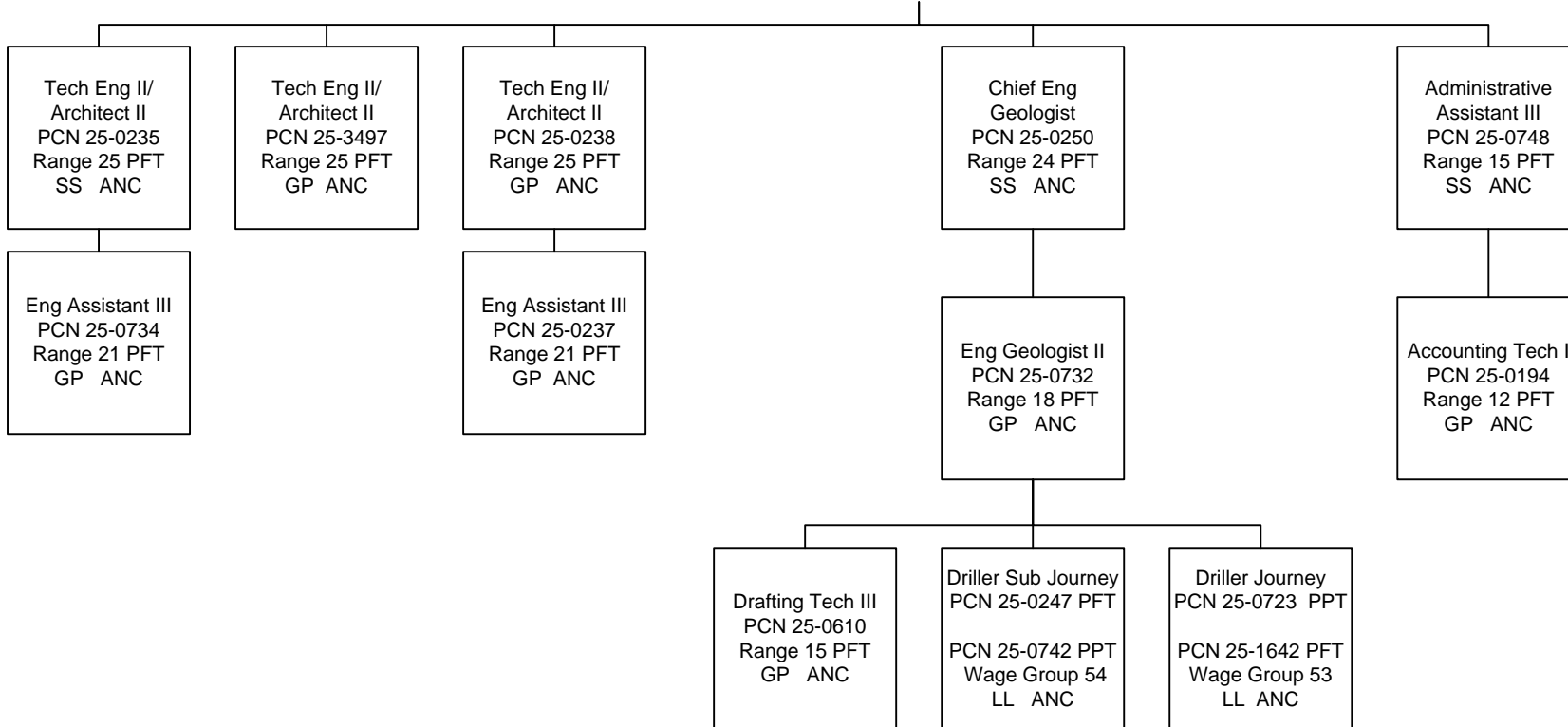
Statewide Environmental





Statewide Materials

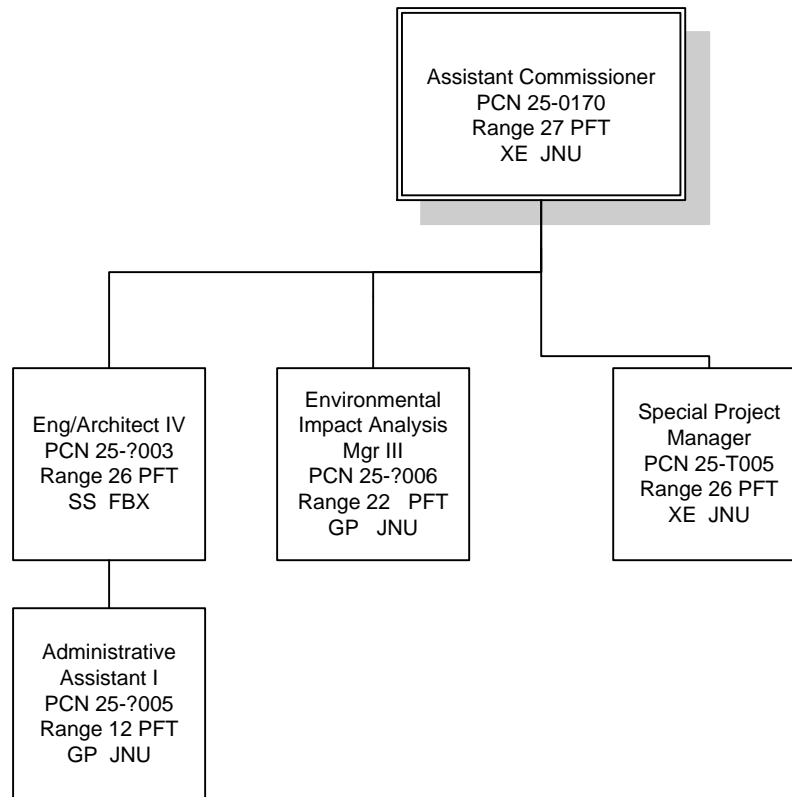
Eng/Architect IV
 PCN 25-0417
 Range 26 PFT
 SS ANC



Department of Transportation & Public Facilities
RDU: Design, Engineering and Construction
Component: Statewide Design & Engineering Services
FY2017 Governor's Budget
72 - PFT, 2 - PPT, 4 - NP



Special Projects





National Environmental Policy Act (NEPA)

