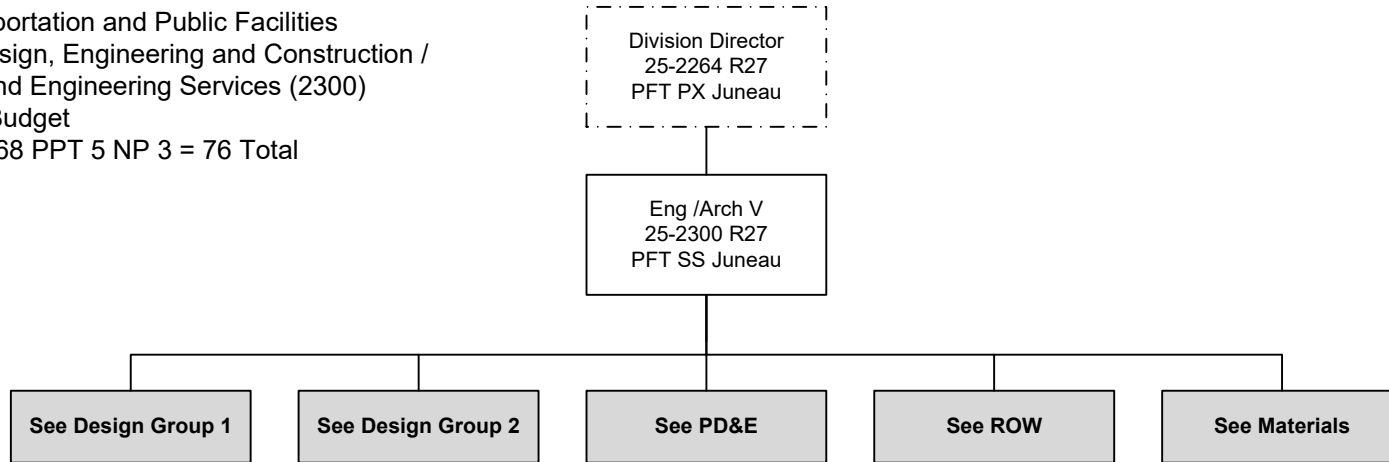
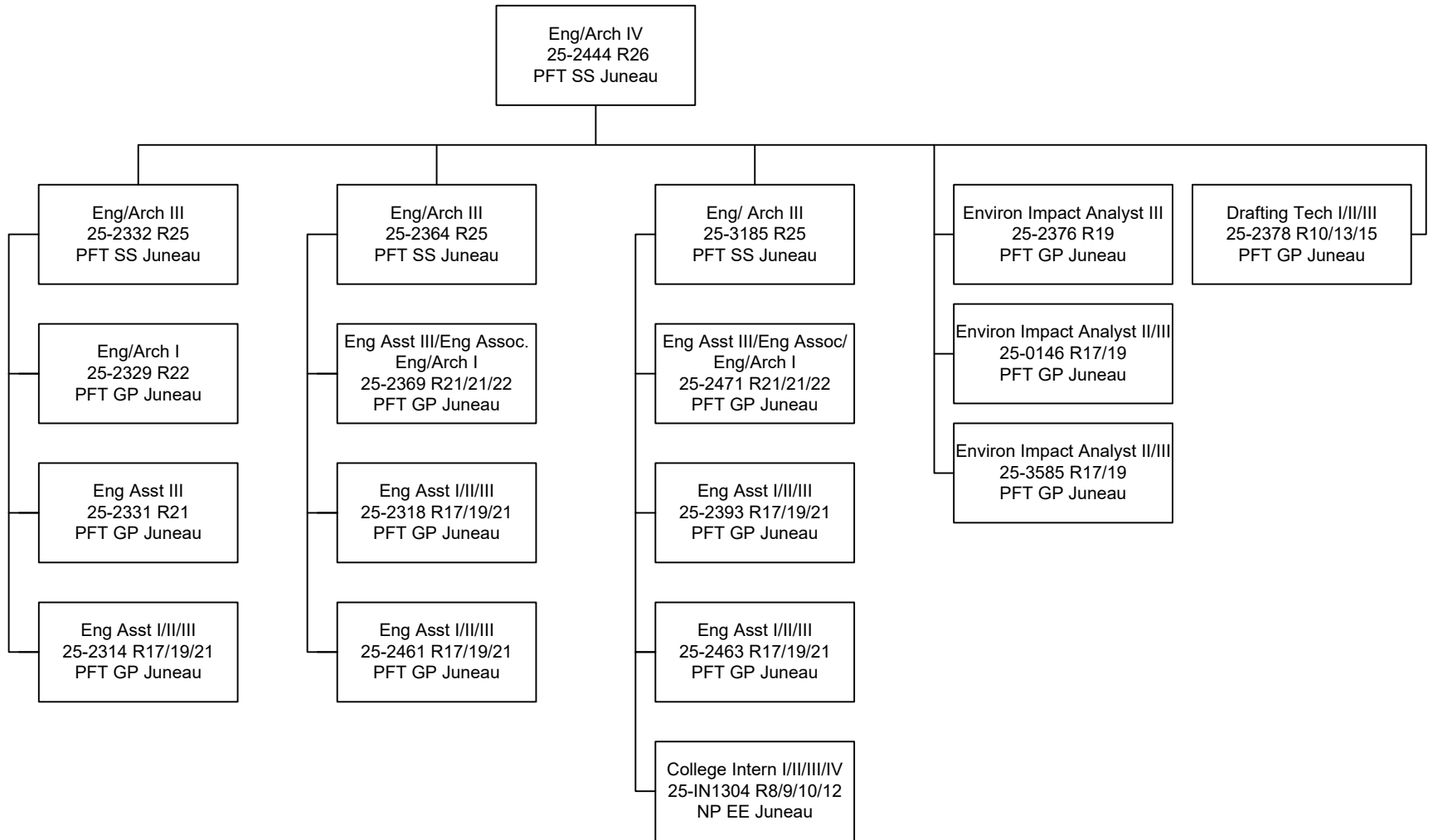


Department of Transportation and Public Facilities
RDU/Component: Design, Engineering and Construction /
Southcoast Design and Engineering Services (2300)
FY2021 Governor's Budget
Position Totals: PFT 68 PPT 5 NP 3 = 76 Total



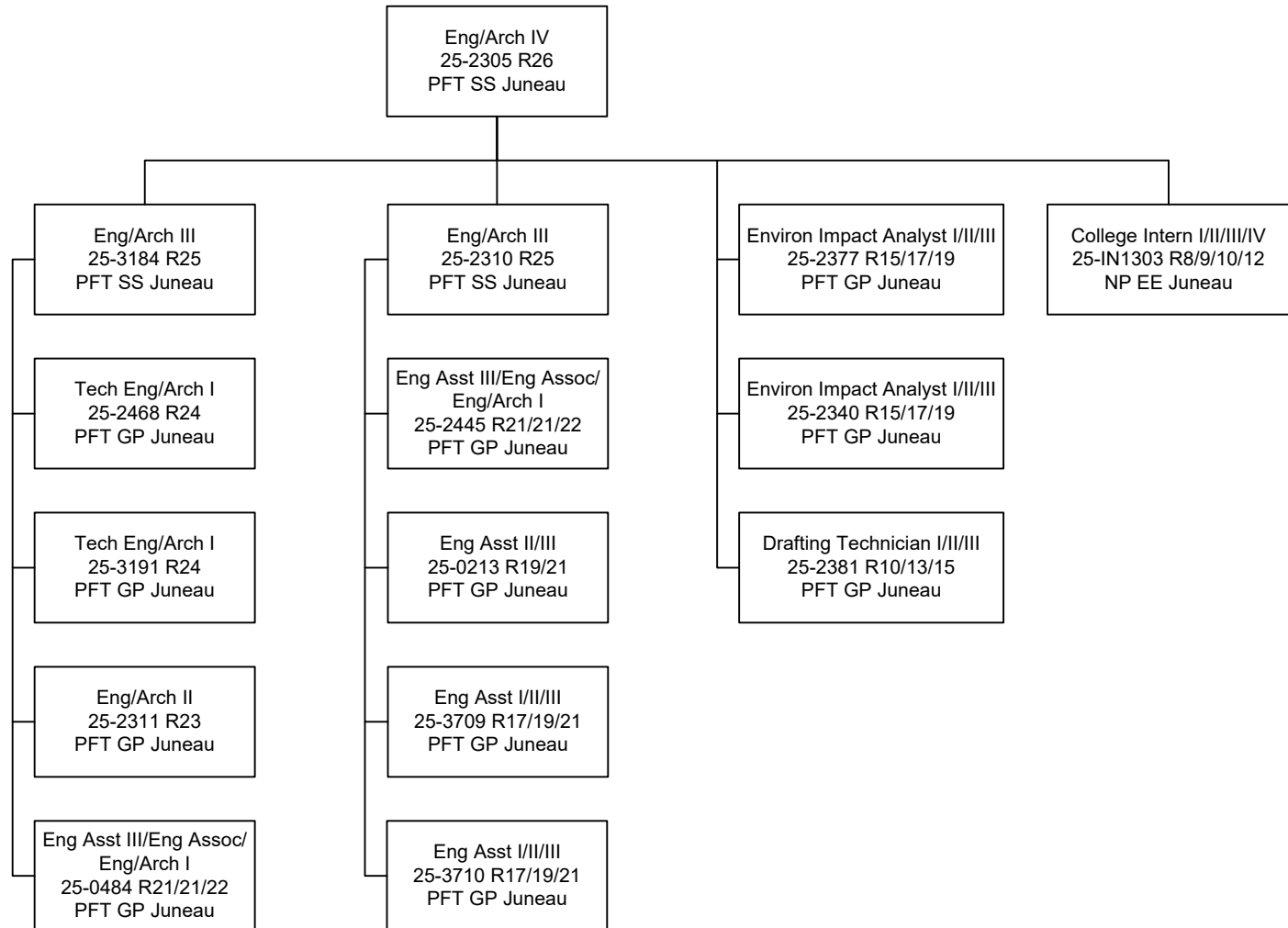
**Budgeted in another component

DESIGN GROUP 1



**Budgeted in another component

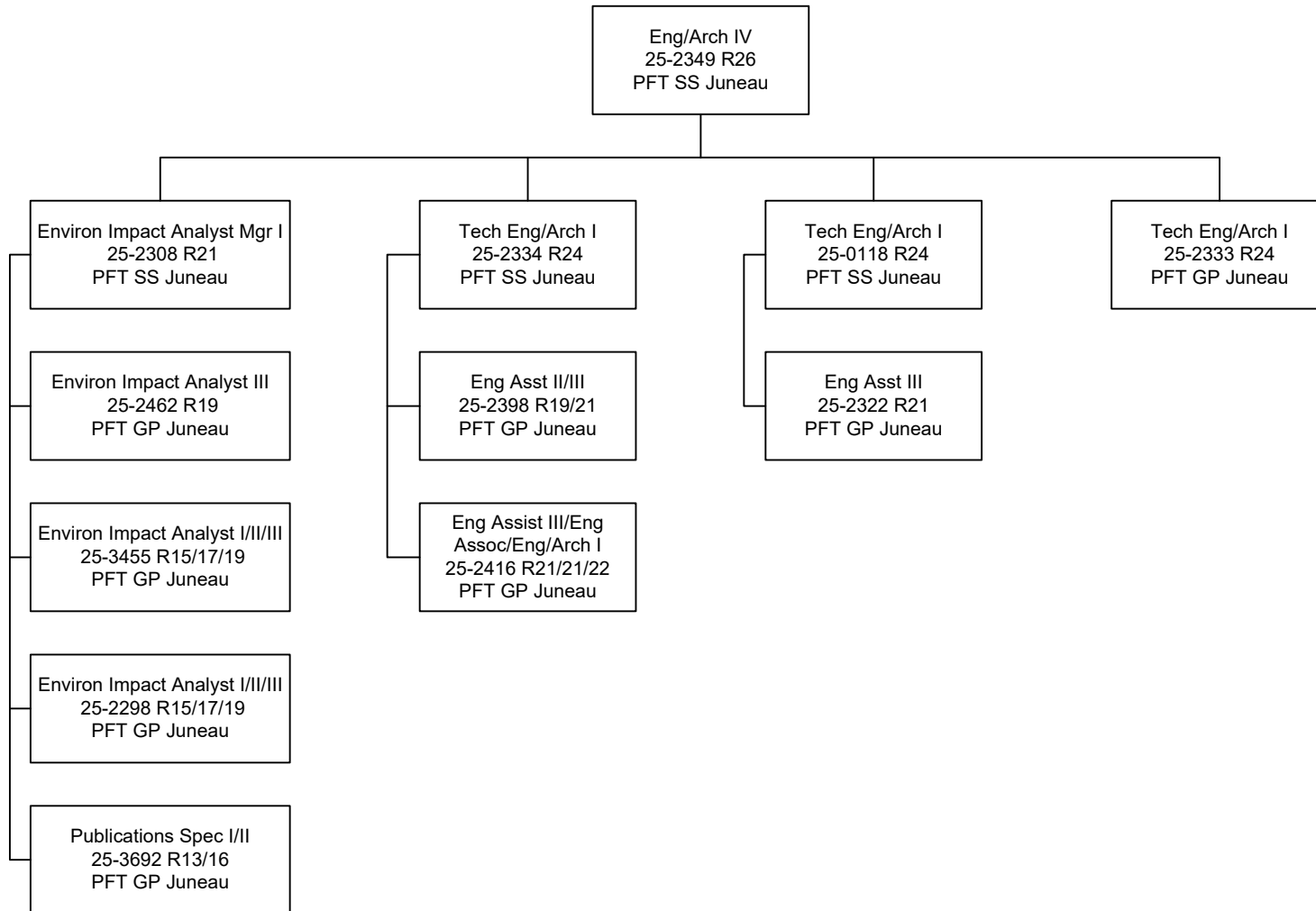
DESIGN GROUP 2



**Budgeted in another component

Department of Transportation and Public Facilities
RDU/Component: Design, Engineering and Construction /
Southcoast Design and Engineering Services (2300)
FY2021 Governor's Budget

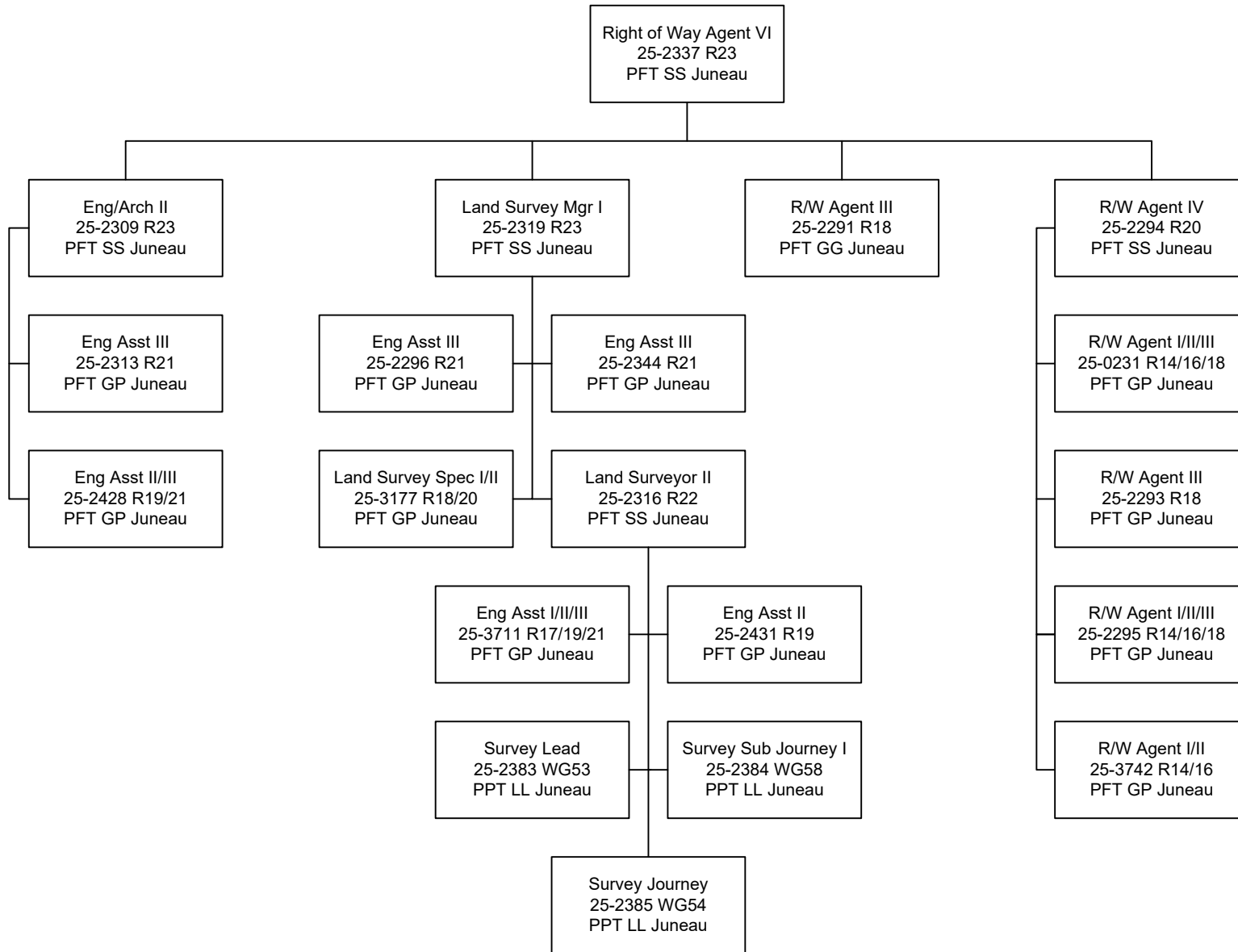
PD&E



**Budgeted in another component

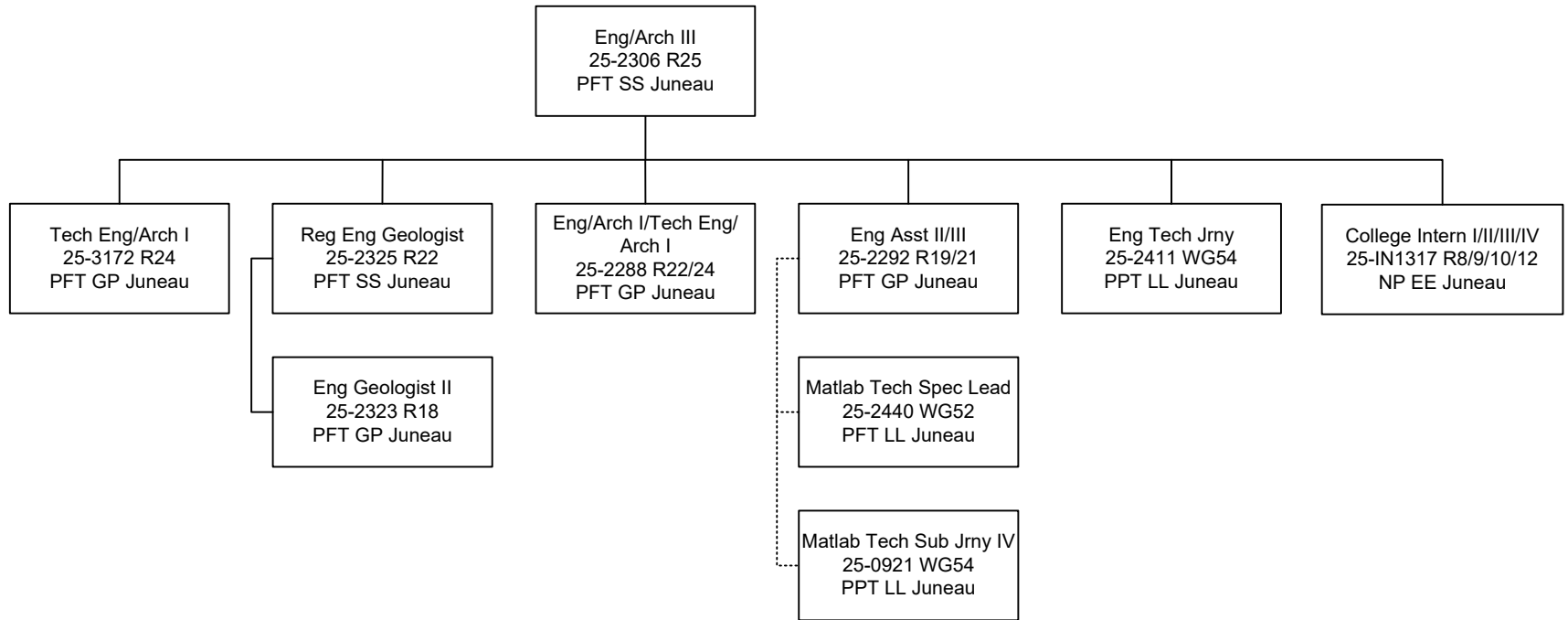
Department of Transportation and Public Facilities
 RDU/Component: Design, Engineering and Construction /
 Southcoast Design and Engineering Services (2300)
 FY2021 Governor's Budget

ROW



**Budgeted in another component

MATERIALS



**Budgeted in another component