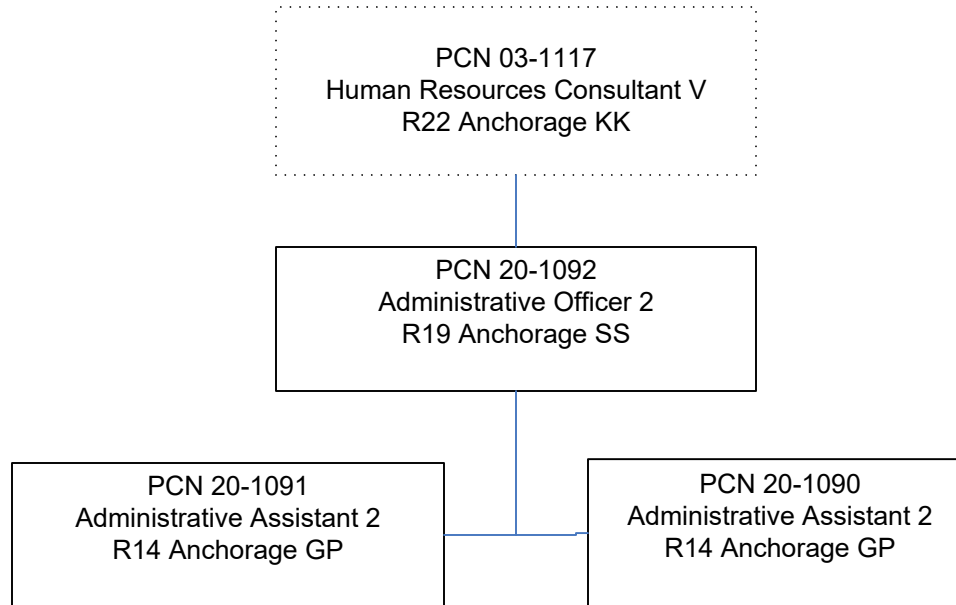


Department of Corrections
Recruitment and Retention
FY 2023 Organizational Structure



Note: Boxes with dotted lines are budgeted within a separate component.