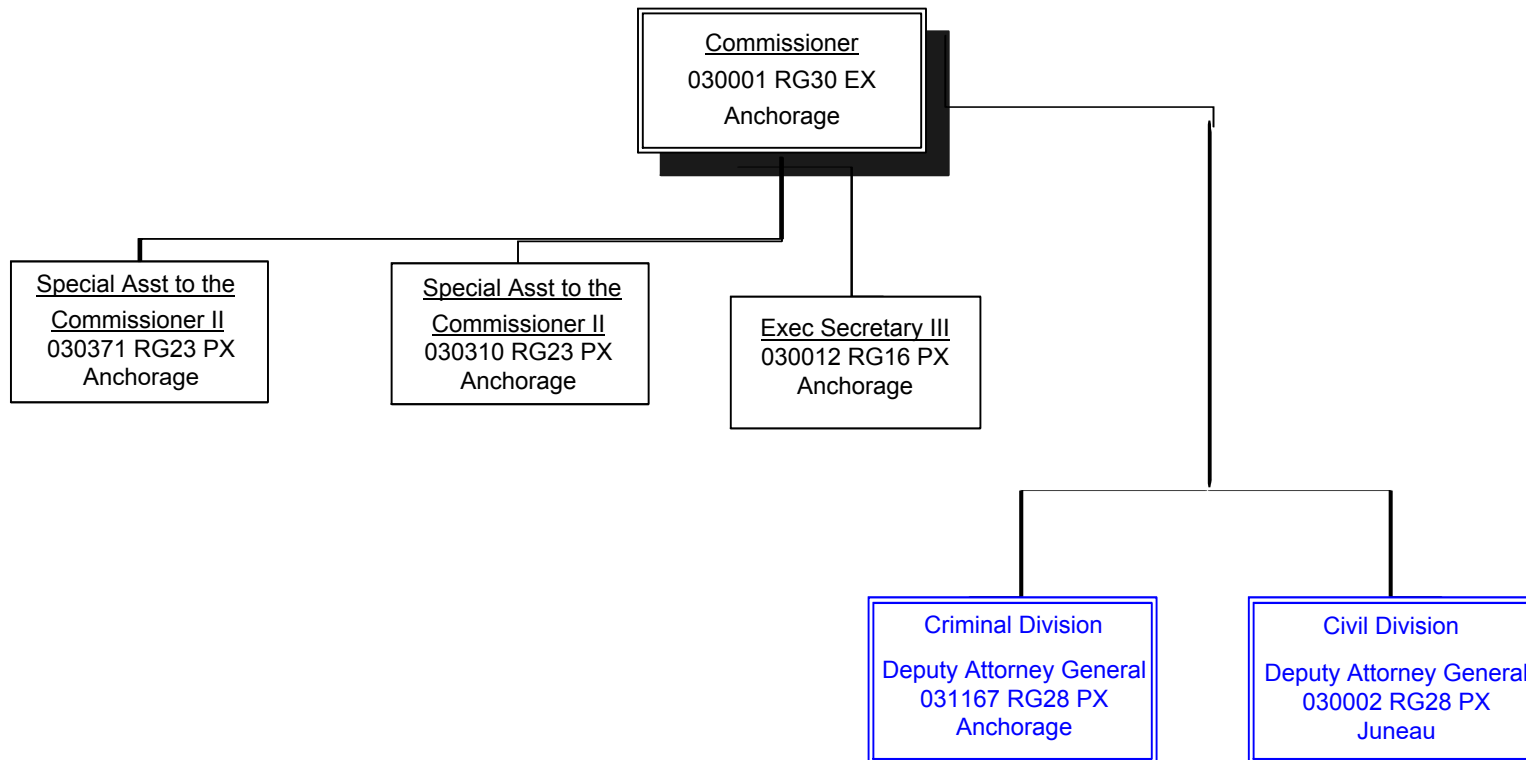


# Administration and Support

## Office of the Attorney General



Note: Positions outlined in blue indicate that the PCNs are counted elsewhere but shown here to indicate organizational hierarchy.

Position Count: 4