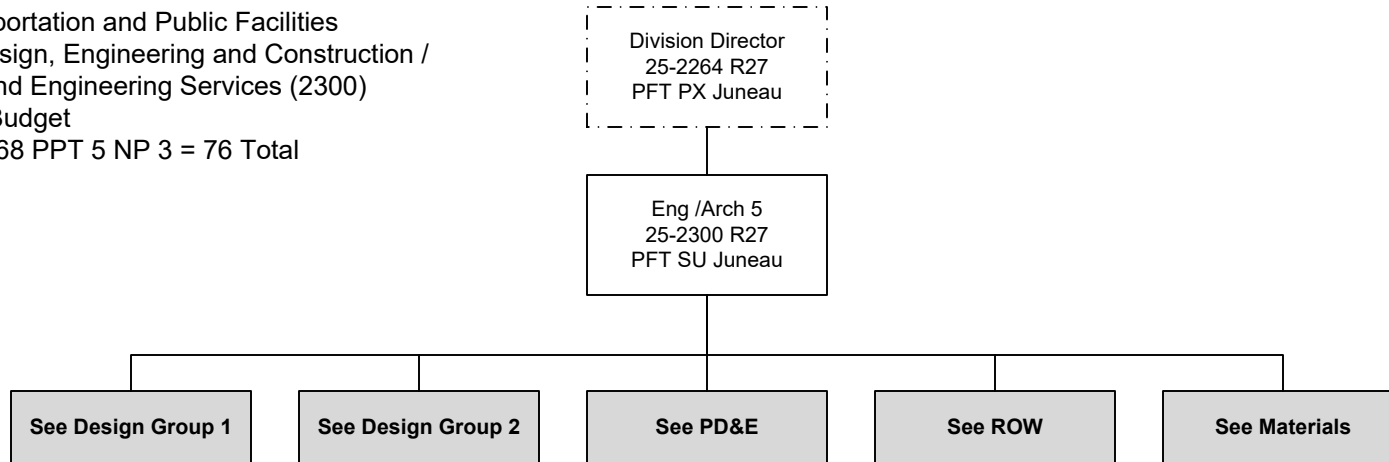


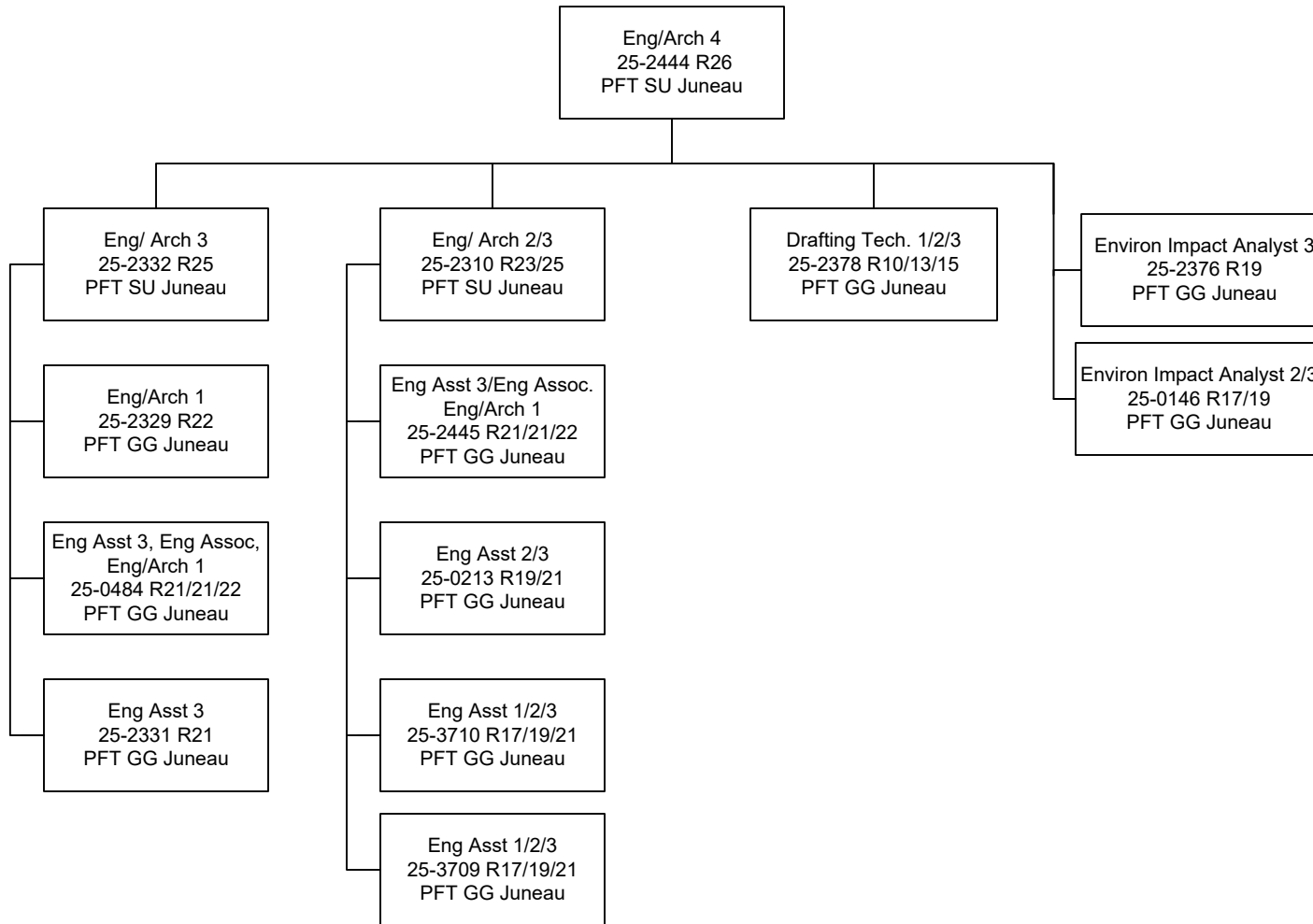
Department of Transportation and Public Facilities  
RDU/Component: Design, Engineering and Construction /  
Southcoast Design and Engineering Services (2300)  
FY2023 Governor's Budget  
Position Totals: PFT 68 PPT 5 NP 3 = 76 Total



\*\*Budgeted in another component

Department of Transportation and Public Facilities  
RDU/Component: Design, Engineering and Construction /  
Southcoast Design and Engineering Services (2300)  
FY2023 Governor's Budget

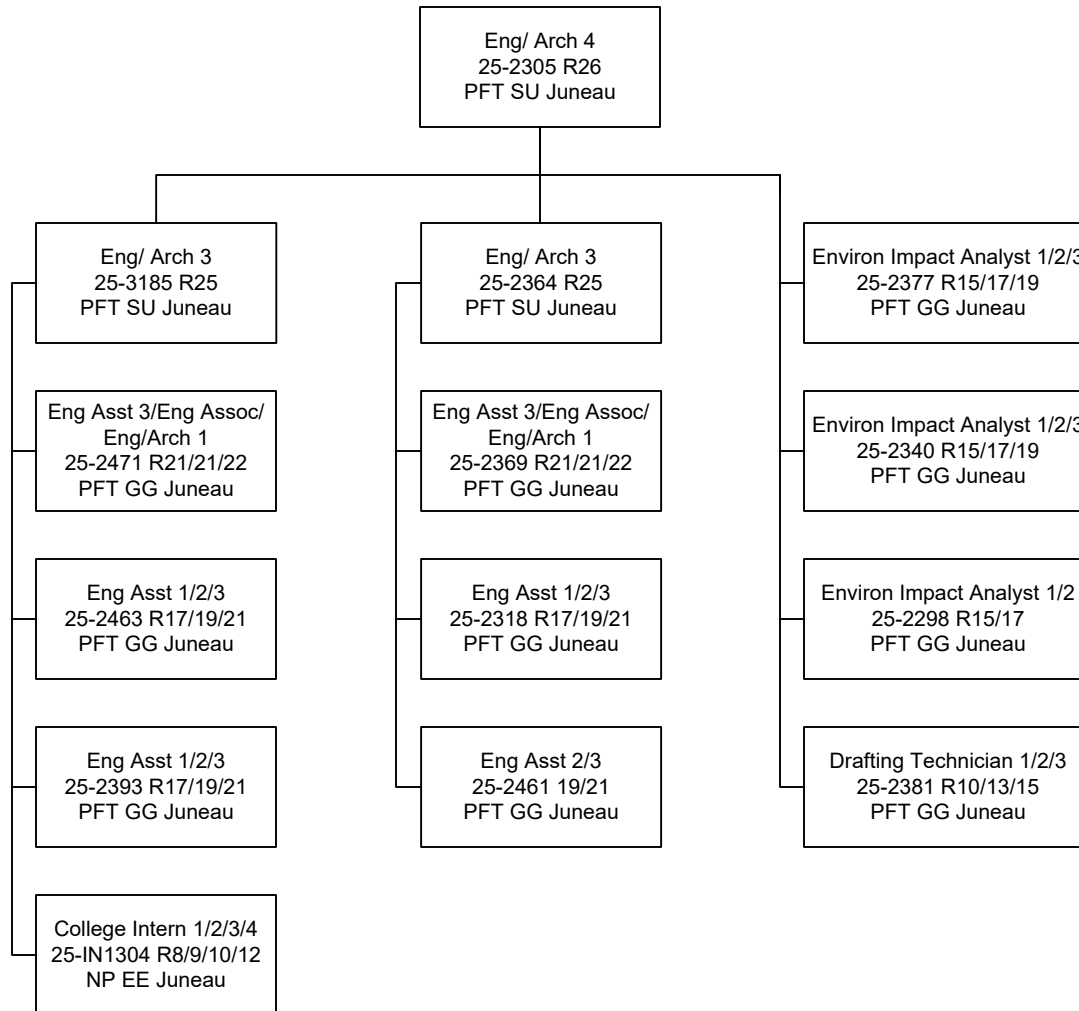
**DESIGN GROUP 1**



\*\*Budgeted in another component

Department of Transportation and Public Facilities  
 RDU/Component: Design, Engineering and Construction /  
 Southcoast Design and Engineering Services (2300)  
 FY2023 Governor's Budget

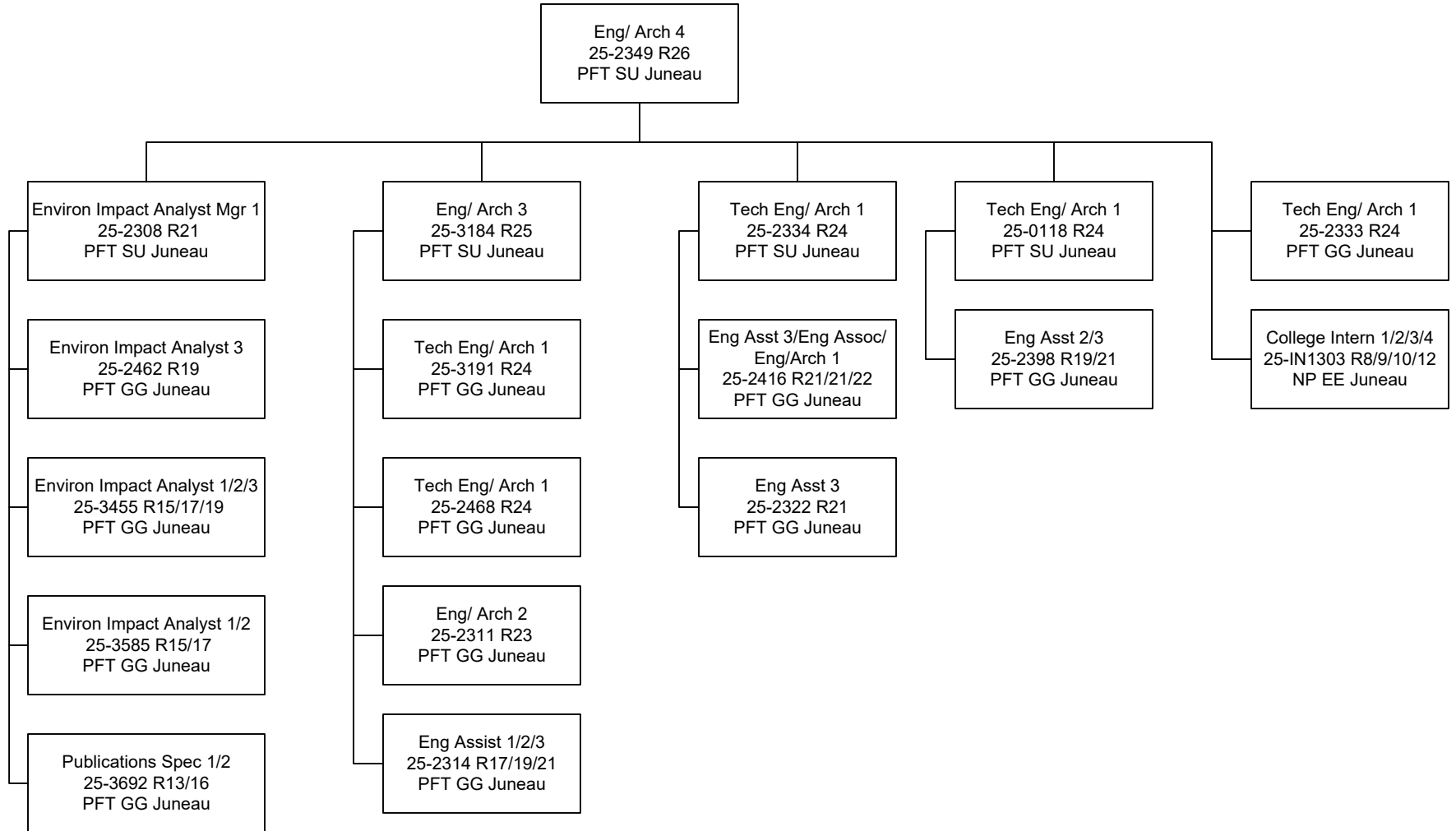
**DESIGN GROUP 2**



\*\*Budgeted in another component

Department of Transportation and Public Facilities  
 RDU/Component: Design, Engineering and Construction /  
 Southcoast Design and Engineering Services (2300)  
 FY2023 Governor's Budget

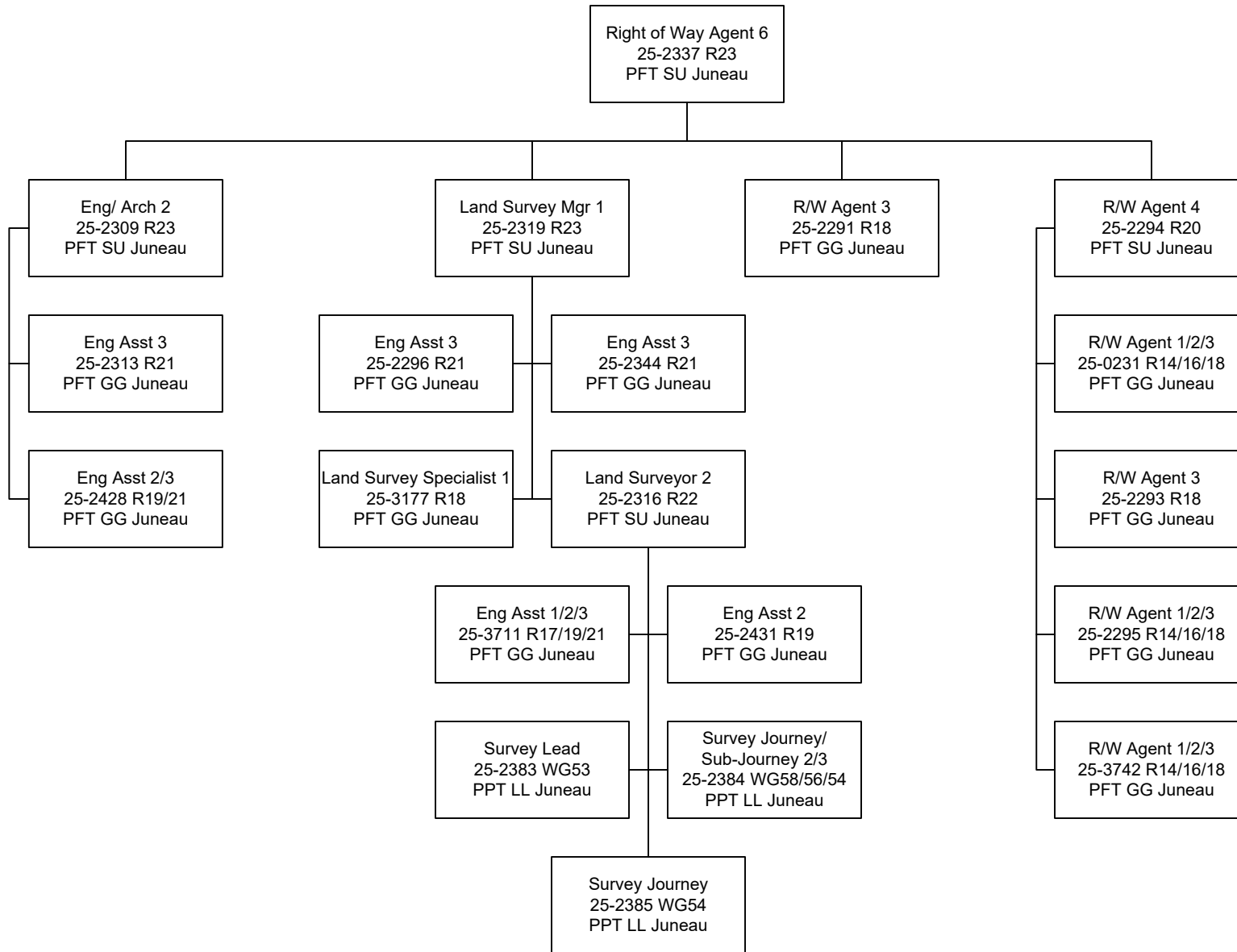
PD&E



\*\*Budgeted in another component

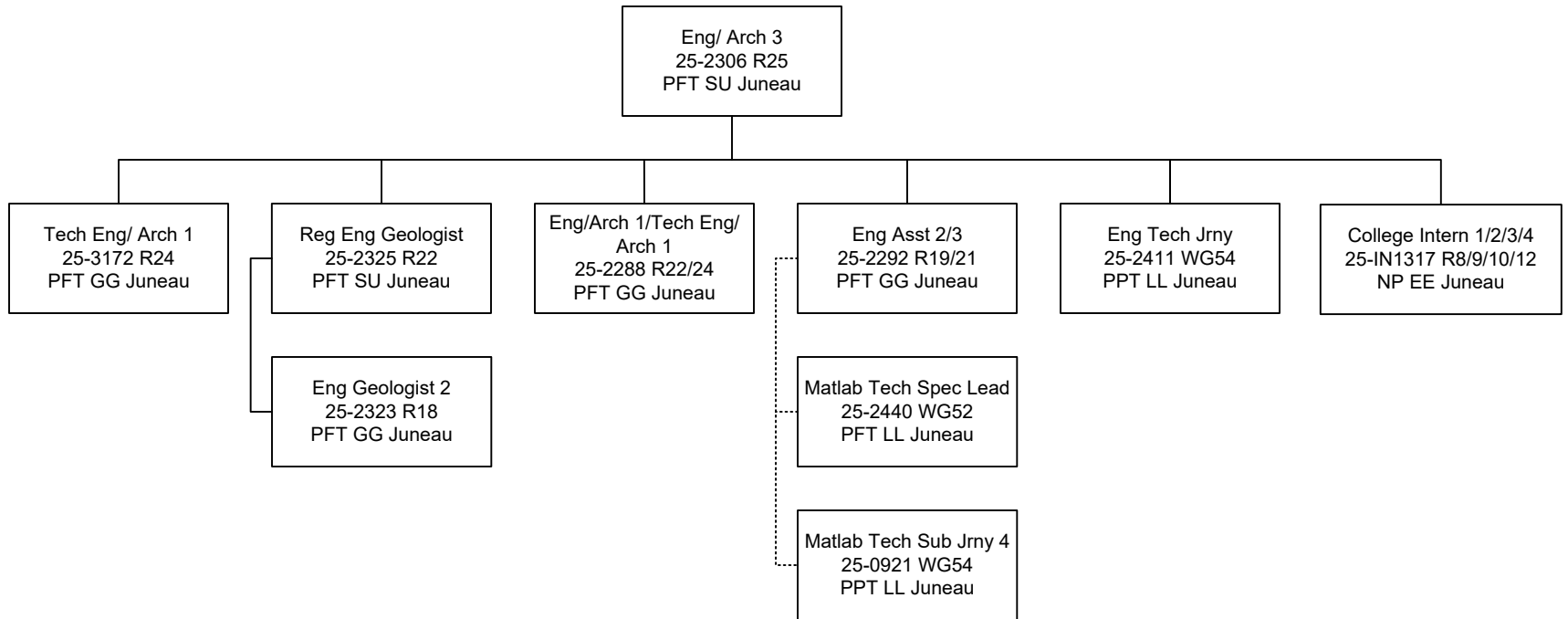
Department of Transportation and Public Facilities  
 RDU/Component: Design, Engineering and Construction /  
 Southcoast Design and Engineering Services (2300)  
 FY2023 Governor's Budget

ROW



\*\*Budgeted in another component

**MATERIALS**



\*\*Budgeted in another component