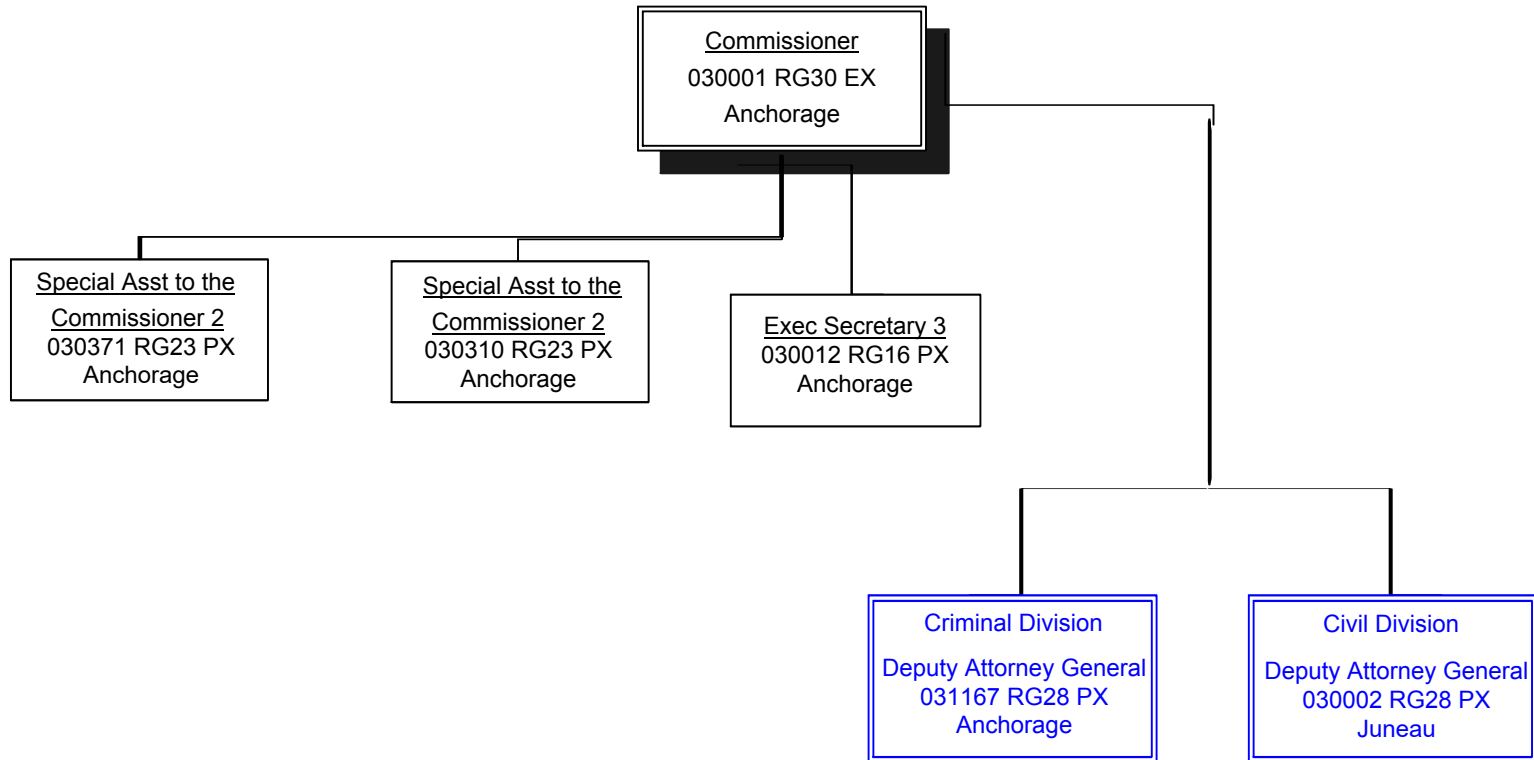


**Administration and Support  
FY2024 Governor Budget  
Office of the Attorney General**



Note: Positions outlined in blue indicate that the PCNs are counted elsewhere but shown here to indicate organizational hierarchy.

Position Count: 4