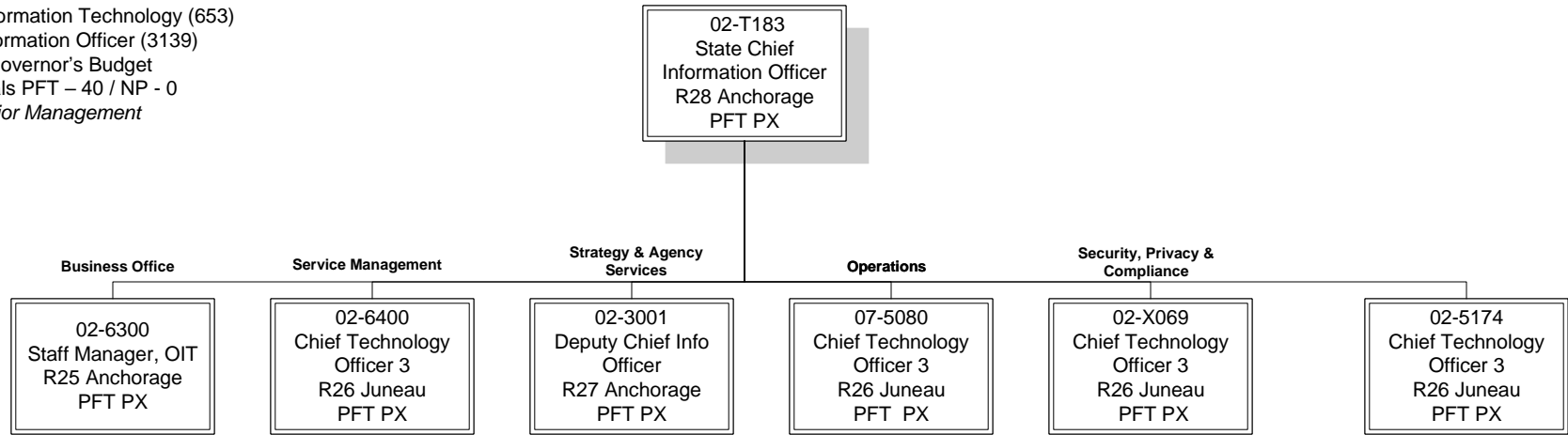
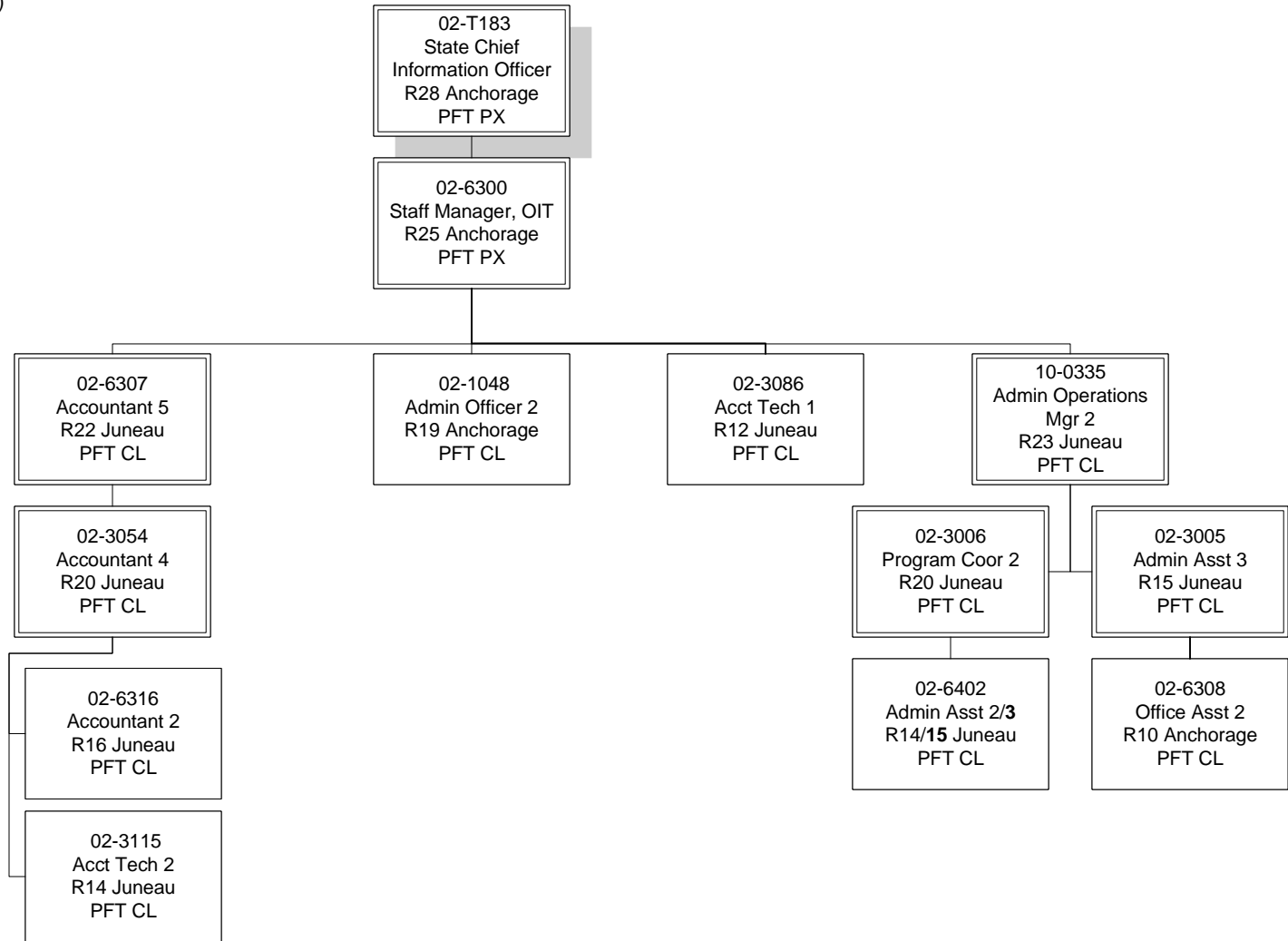


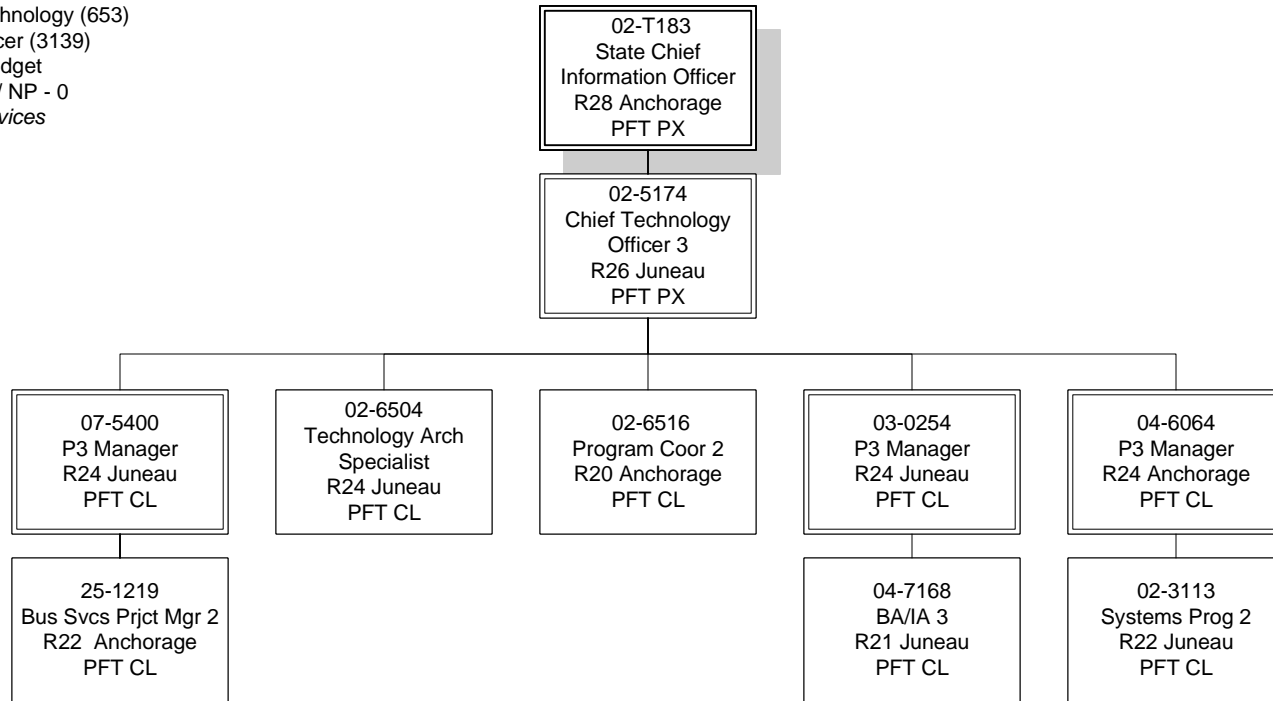
Department of Administration
Alaska Office of Information Technology (653)
RDU: Chief Information Officer (3139)
FY2025 Governor's Budget
Position Totals PFT – 40 / NP - 0
OIT Senior Management



Department of Administration
Alaska Office of Information Technology (653)
RDU: Chief Information Officer (3139)
FY2025 Governor's Budget
Position Totals PFT – 40 / NP - 0
Business Office



Department of Administration
Alaska Office of Information Technology (653)
RDU: Chief Information Officer (3139)
FY2025 Governor's Budget
Position Totals PFT – 40 / NP - 0
Strategy & Agency Services



Department of Administration
 Alaska Office of Information Technology (653)
 RDU: Chief Information Officer (3139)
 FY2025 Governor's Budget
 Position Totals PFT – 40 / NP - 0
 Department Technology Officers

